

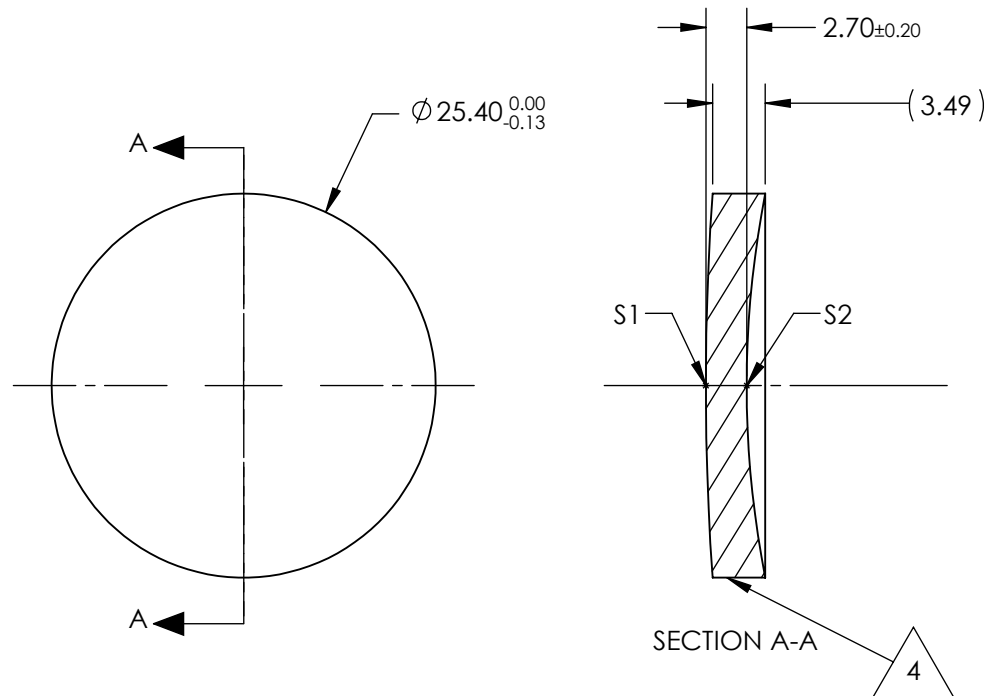
NOTES:

1. SUBSTRATE:
Zinc Selenide (ZnSe), CVD Grade
2. CENTERING TOLERANCE:
<3 ARCMIN
3. COATING (APPLY ACROSS CLEAR APERTURE)
S1 & S2: R(AVG) <0.5% @ 8 - 12µm
R(ABS) <1% @ 8 - 12µm

4. FINE GRIND SURFACE

5. FOCAL LENGTH TOLERANCE: ±2%

6. ROHS COMPLIANT



**FOR INFORMATION ONLY:
DO NOT MANUFACTURE
PARTS TO THIS DRAWING**

	S1	S2
SHAPE	CONVEX	CONCAVE
RADIUS	182.39	66.25
IRREGULARITY AT 10.6µm	λ/20	λ/20
SURFACE QUALITY	60-40	60-40
CLEAR APERTURE	ø22.86	ø22.86
BEVEL	PROTECTED AS NEEDED	PROTECTED AS NEEDED

EFL @ 10.6µm	-75
BFL @ 10.6µm	-74.54
THIRD ANGLE PROJECTION	
ALL DIMS IN	mm

SPECIFICATIONS SUBJECT TO CHANGE WITHOUT NOTICE
DIMENSIONS ARE FOR REFERENCE ONLY

Edmund Optics®

25.4mm Dia. x -75mm FL, 8 - 12µm BBAR
Coated, ISP Optics Zinc Selenide (ZnSe)
Negative Meniscus Lens

TITLE

DWG NO

24907

SHEET
1 OF 1