

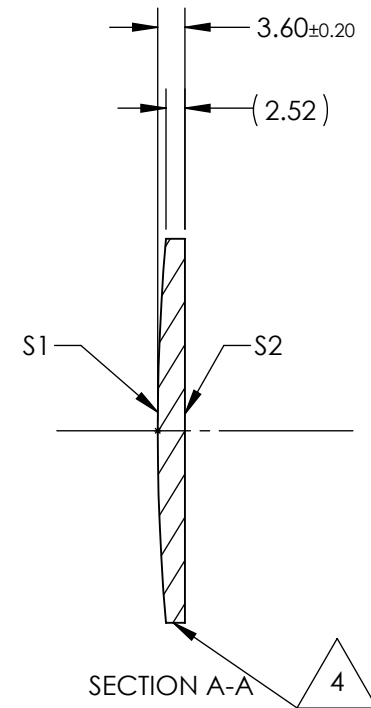
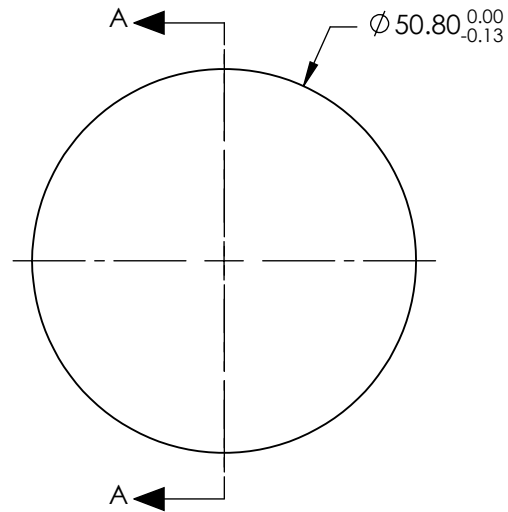
NOTES:

1. SUBSTRATE:  
Germanium (Ge)
2. CENTERING TOLERANCE:  
<3 ARCMIN
3. COATING (APPLY ACROSS CLEAR APERTURE)  
S1 & S2: NONE

4. FINE GRIND SURFACE

5. FOCAL LENGTH TOLERANCE: ±2%

6. ROHS COMPLIANT



**FOR INFORMATION ONLY:  
DO NOT MANUFACTURE  
PARTS TO THIS DRAWING**

SPECIFICATIONS SUBJECT TO CHANGE WITHOUT NOTICE  
DIMENSIONS ARE FOR REFERENCE ONLY

	S1	S2
SHAPE	CONVEX	PLANO
RADIUS	299.9	INFINITY
IRREGULARITY AT 10.6µm	λ/20	λ/20
SURFACE QUALITY	60-40	60-40
CLEAR APERTURE	ø45.72	ø45.72
BEVEL	PROTECTED AS NEEDED	PROTECTED AS NEEDED

EFL @ 10.6µm	100.0
BFL @ 10.6µm	98.94
THIRD ANGLE PROJECTION	
ALL DIMS IN	mm

Edmund Optics®

TITLE 50.8mm Dia. x 100mm FL, Uncoated, ISP Optics Germanium (Ge) PCX Lens

DWG NO 24861 SHEET 1 OF 1