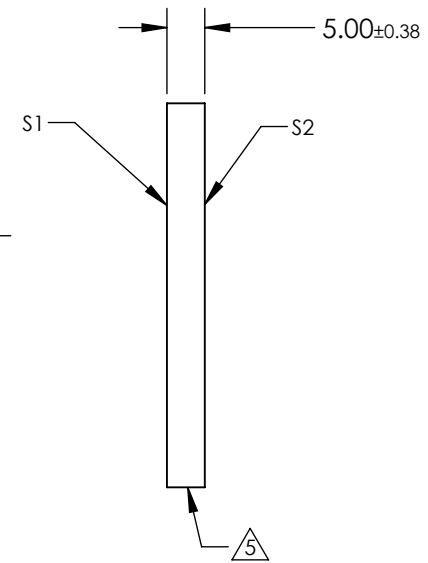
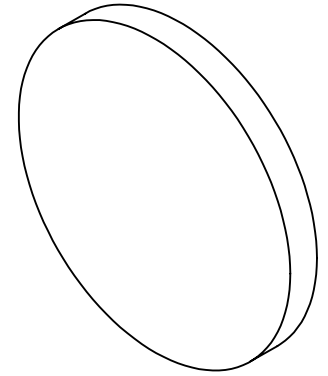
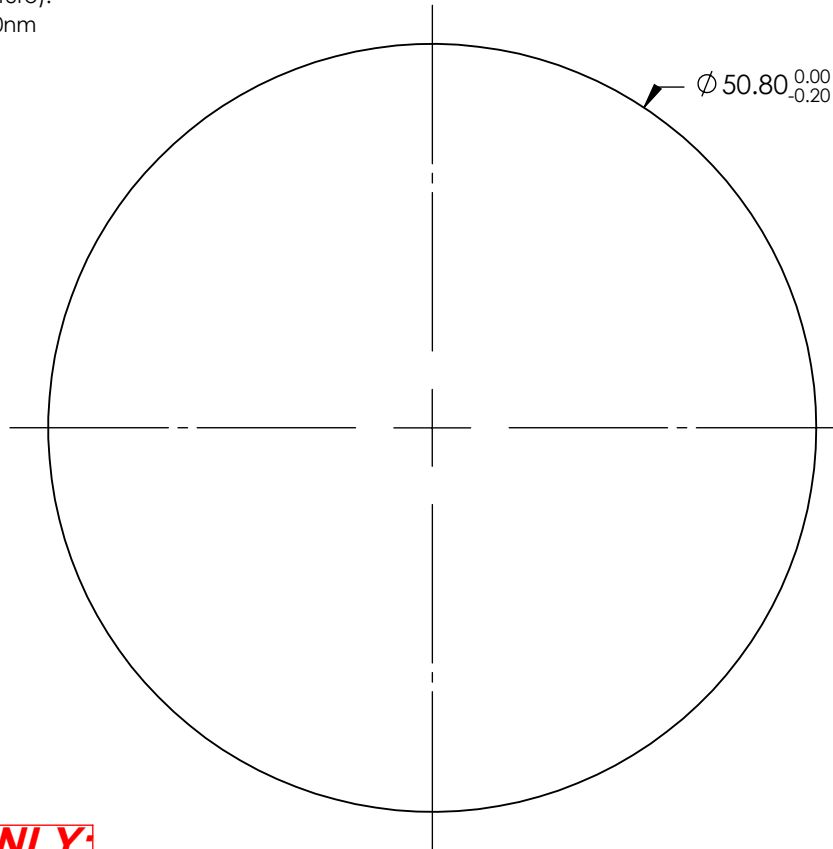


NOTES:

1. SUBSTRATE: Fused Silica (Corning 7980)
2. RoHS COMPLIANT
3. SURFACE S2 TO BE PARALLEL WITH SURFACE S 1 TO WITHIN ACRMINS
4. Coating (Apply Across Clear Aperture):
S1 & S2: Ravg ≤ 1.75% @ 400 - 700nm

5. FINE GROUND SURFACE



**FOR INFORMATION ONLY:
DO NOT MANUFACTURE
PARTS TO THIS DRAWING**

SPECIFICATIONS SUBJECT TO CHANGE WITHOUT NOTICE
DIMENSIONS ARE FOR REFERENCE ONLY

	S1	S2
Shape	Plano	Plano
Surface Accuracy	1λ	1λ
Surface Quality	60-40	60-40
Clear Aperture	45.72	45.72
Bevel	Protected as Needed	Protected as Needed



ALL DIMS IN

mm

EO® **Edmund Optics**®

TITLE

50.8mm Dia. 5mm Thick MgF2 Coated, 1λ
Fused Silica Window

DWG NO

25328

SHEET
85 OF 101