

NOTES:

1. SUBSTRATE MATERIAL: Fused Silica
2. SURFACE S2 TO BE PARALLEL WITH S1 TO 30 arcsec
3. COATING (APPLY ACROSS CLEAR APERTURE)

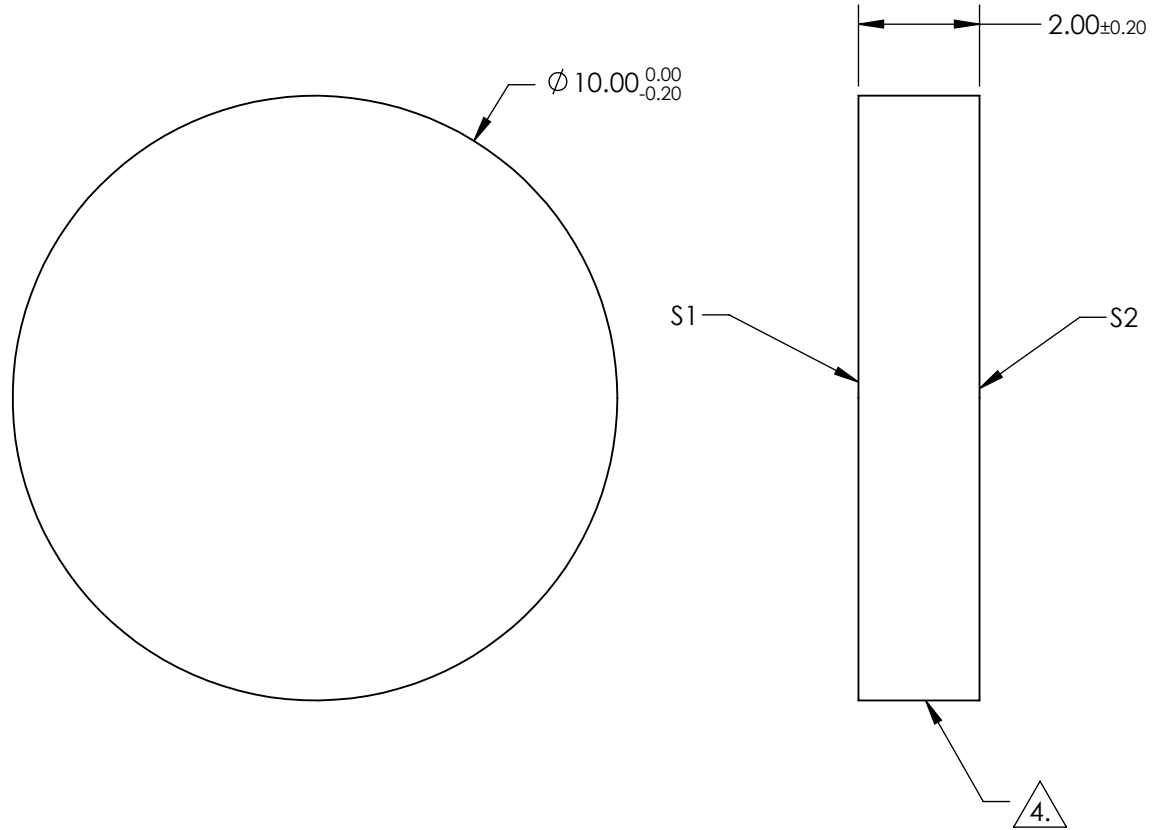
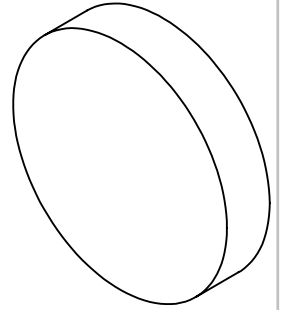
S1: SILVER WITH MULTILAYER OVERCOAT

R(avg) > 99% @ 600 - 1000nm @ 0° AOI, Rs > 99% @ 540 - 1000nm @ 45° AOI, Rp > 98.5% @ 730 - 870nm @ 45° AOI

S2: NONE

4. FINE GRIND SURFACE

5. ROHS COMPLIANT



**FOR INFORMATION ONLY:
DO NOT MANUFACTURE
PARTS TO THIS DRAWING**

SPECIFICATIONS SUBJECT TO CHANGE WITHOUT NOTICE
DIMENSIONS ARE FOR REFERENCE ONLY

EO® Edmund Optics®

	S1	S2
SURFACE QUALITY	20 - 10	COMMERCIAL POLISH
SURFACE FLATNESS	$\lambda/10$	N/A
BEVEL	PROTECTED AS NEEDED	PROTECTED AS NEEDED



ALL DIMS IN

mm

TITLE

MIRROR 1/10 WAVE UF SILVER 600-1050NM
10mm DIA

DWG NO

21979

SHEET
3 OF 20