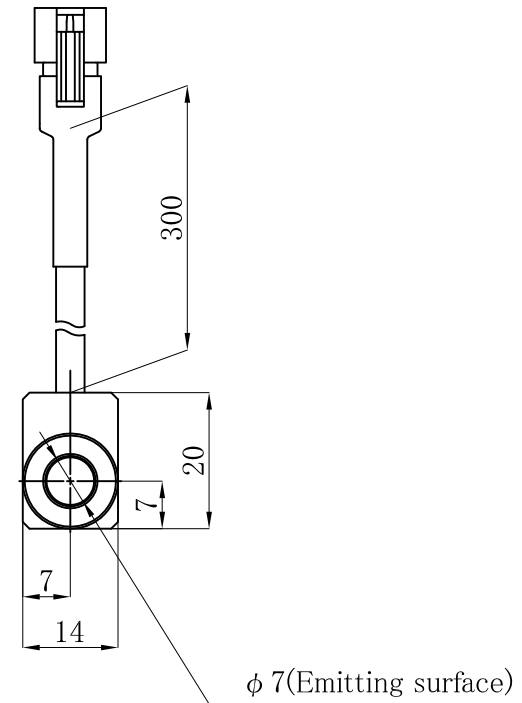
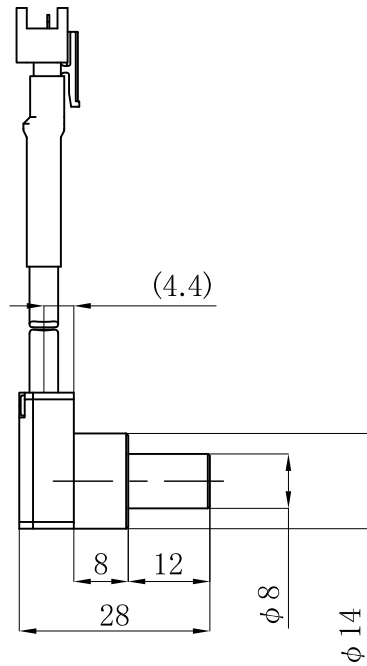


# HLV3-14BL

Unit: mm



Model	Input Current	Power Consumption
HLV3-14SW	0.275 A max.	0.9 W max.
HLV3-14RD	0.275 A max.	0.7 W max.
HLV3-14BL	0.275 A max.	0.9 W max.
HLV3-14GR	0.275 A max.	1.1 W max.