

NOTES:

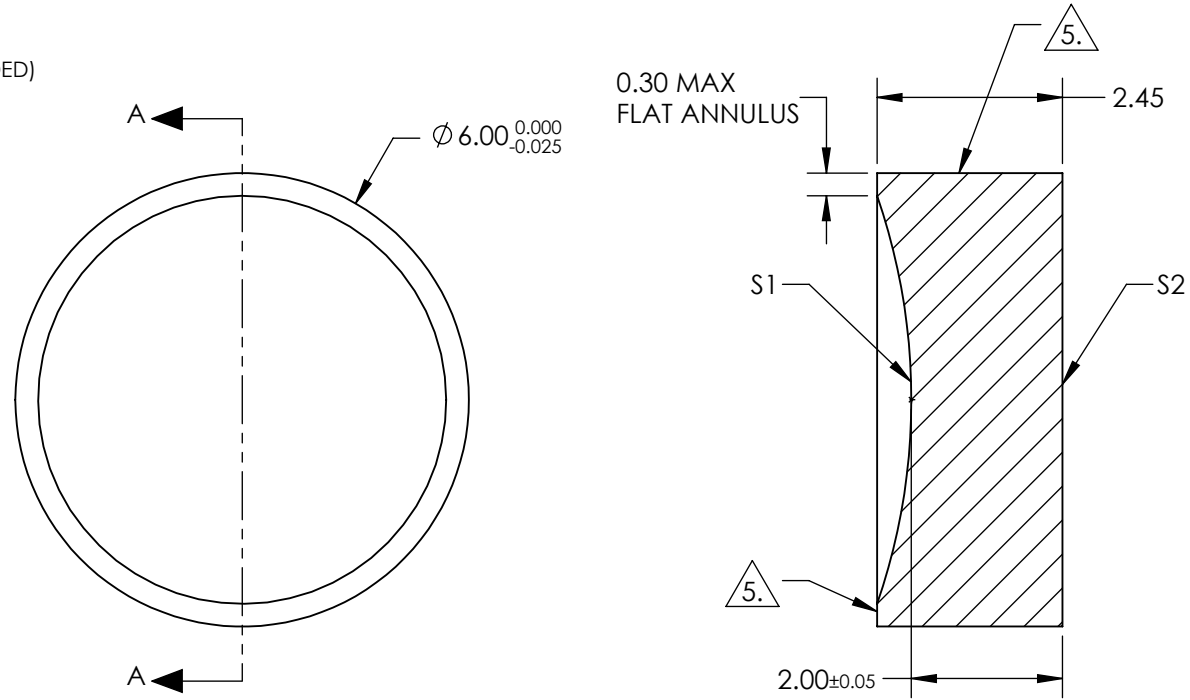
- 1. SUBSTRATE:
FUSED SILICA
- 2. ROHS COMPLIANT
- 3. COATING (APPLY ACROSS CLEAR APERTURE)

S1 & S2: VIS-NIR (400-1000nm)
 R(ABS) ≤0.25% @ 880nm
 R(AVG) ≤1.25% @ 400 - 870nm
 R(AVG) ≤1.25% @ 890 - 1000nm

4. FINE GRIND SURFACE (ADD INK NOTE AS NEEDED)

5. FINE GRIND SURFACE

6. FOCAL LENGTH (EFL): -18mm
 BACK FOCAL LENGTH (BFL): -19.37mm



**FOR INFORMATION ONLY:
 DO NOT MANUFACTURE
 PARTS TO THIS DRAWING**

SPECIFICATIONS SUBJECT TO CHANGE WITHOUT NOTICE
 DIMENSIONS ARE FOR REFERENCE ONLY

	S1	S2
SHAPE	CONCAVE	PLANO
RADIUS	-8.25	INFINITY
SURFACE QUALITY	40-20	40-20
CLEAR APERTURE	Ø 5.4	Ø 5.4
BEVEL	PROTECTED AS NEEDED	PROTECTED AS NEEDED



ALL DIMS IN

mm

EO® Edmund Optics®

TITLE

6.0mm Dia. x -18 FL, VIS-NIR, UV Plano-Concave Lens

DWG NO

21045

SHEET
1 OF 1