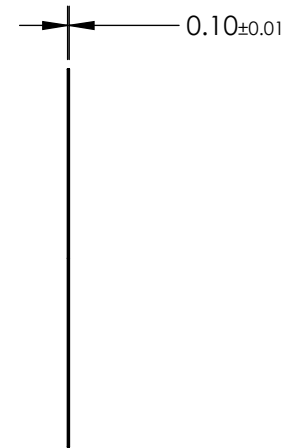
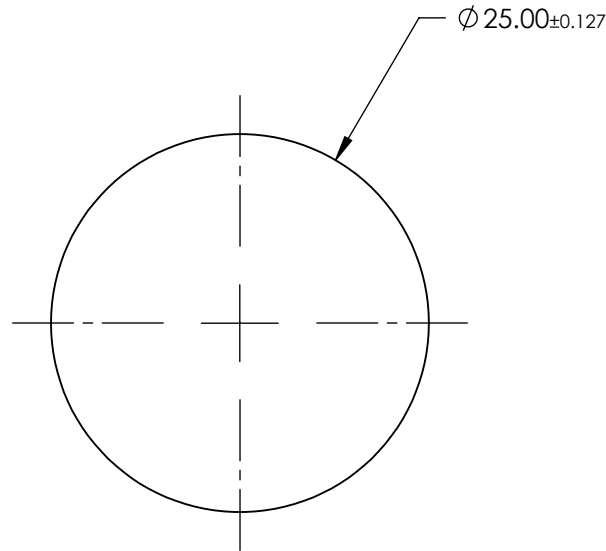
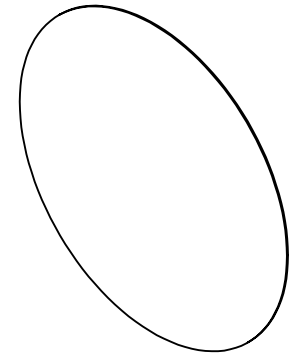


NOTES:

- 1. SUBSTRATE:
AS87ECO
- 2. COATING (APPLY ACROSS CLEAR APERTURE)

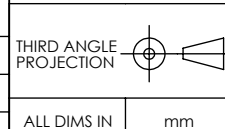
S1 & S2: NONE
- 3. ROHS COMPLIANT



**FOR INFORMATION ONLY:
DO NOT MANUFACTURE
PARTS TO THIS DRAWING**

SPECIFICATIONS SUBJECT TO CHANGE WITHOUT NOTICE
DIMENSIONS ARE FOR REFERENCE ONLY

	S1	S2
SHAPE	PLANO	PLANO
SURFACE QUALITY	80-50	80-50
SURFACE ROUGHNESS	< 0.50nm	< 0.50nm
CLEAR APERTURE	$\phi 22.50$	$\phi 22.50$
BEVEL	PROTECTED AS NEEDED	PROTECTED AS NEEDED



EO® Edmund Optics®

TITLE	SCHOTT AS87ECO, 25mm Dia., 0.1mm Thick, Ultra-Thin Window		
DWG NO	20212	SHEET 1 OF 1	