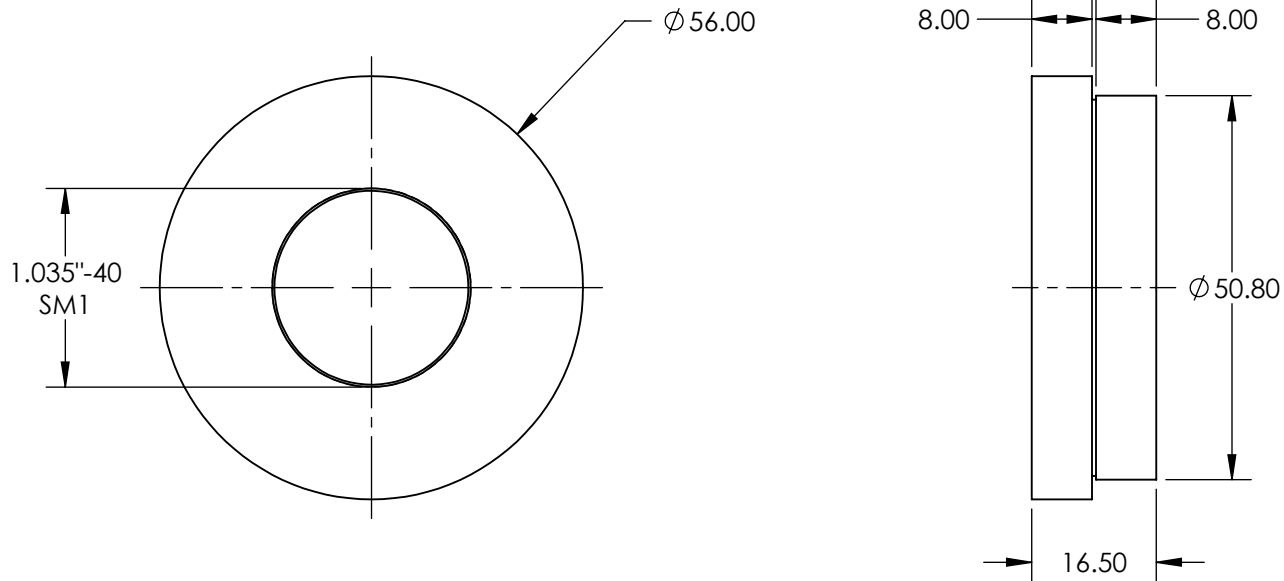
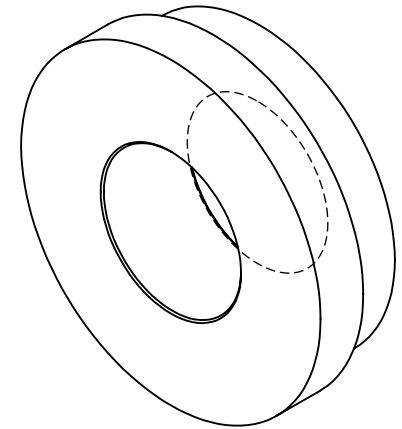


NOTES:

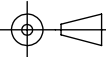
1. MATERIAL:  
BLACK ANODIZED ALUMINUM
2. COMPATIBLE MOUNT:  
50.8mm DIA. OPTIC MOUNTS



**FOR INFORMATION ONLY:  
DO NOT MANUFACTURE  
PARTS TO THIS DRAWING**

SPECIFICATIONS SUBJECT TO CHANGE WITHOUT NOTICE  
DIMENSIONS ARE FOR REFERENCE ONLY

**EO**<sup>®</sup> Edmund Optics<sup>®</sup>

THIRD ANGLE PROJECTION 		TITLE	E-Series SM1 Adapter	
ALL DIMS IN	mm	DWG NO	18286	SHEET 1 OF 1