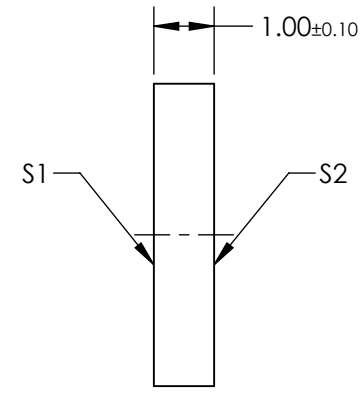
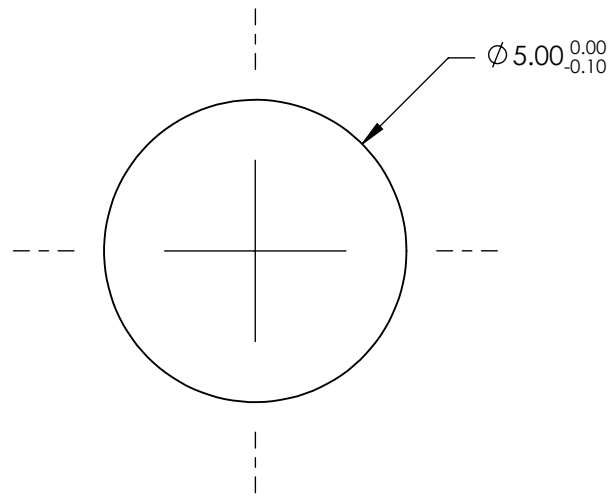
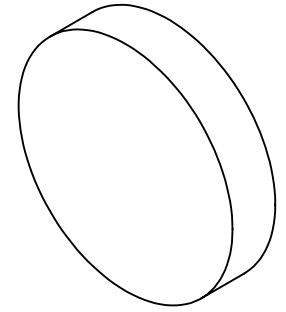


NOTES:

1. SUBSTRATE:
Lithium Fluoride (LiF)
 2. SURFACE S1 TO BE PARALLEL WITH SURFACE S2 TO WITHIN <3 arcmin
 3. COATING (APPLY ACROSS CLEAR APERTURE)
- S1 & S2: NONE



**FOR INFORMATION ONLY:
DO NOT MANUFACTURE
PARTS TO THIS DRAWING**

SPECIFICATIONS SUBJECT TO CHANGE WITHOUT NOTICE
DIMENSIONS ARE FOR REFERENCE ONLY

	S1	S2
SHAPE	PLANO	PLANO
SURFACE QUALITY	60-40	60-40
SURFACE FLATNESS	$\lambda/2$ @ 633nm	$\lambda/2$ @ 633nm
CLEAR APERTURE	ϕ 4.5	ϕ 4.5
BEVEL	PROTECTED AS NEEDED	PROTECTED AS NEEDED



ALL DIMS IN mm

EO® Edmund Optics®

TITLE	5mm Dia., 1mm Thick, Uncoated, Lithium Fluoride (LiF) Window	
DWG NO	19724	SHEET 1 OF 1