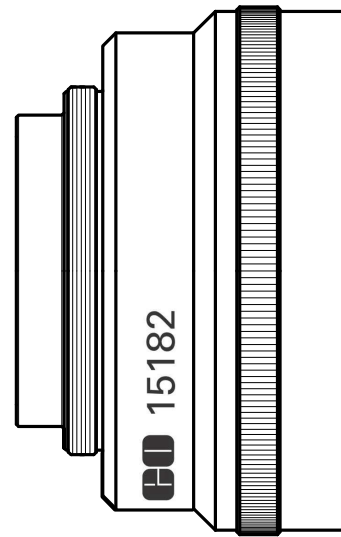


FT-254

F-theta lens for 1064nm

Features

- Wide scan area with large input beam
- Optimized desing for diffraction limit in all the scanning areas
- Stable and high performance
- marking / engraving / 3D modeling



Specifications

Focal length	254.0 mm	Mirror distance (recommend)	1st mirror-2nd mirror	20mm
			2nd mirror-housing	20mm
Designed wavelength	1064 nm	Mount screw	M85×1	
Scanning area	157.0×157.0 mm ²	scan angle	±25.0 degrees	
Max. input beam diameter	φ20.0 mm	Total transmission	T ≥ 95%	
1/e ² beam spot size	φ25.0 μm	Material	Optical glass	
Working distance	304.6 mm			

Outline

