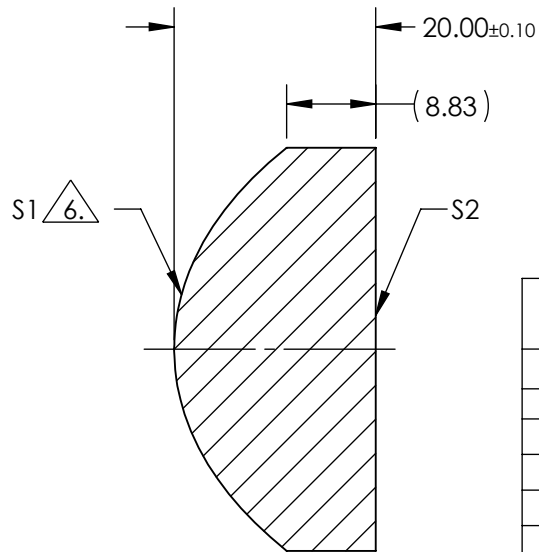
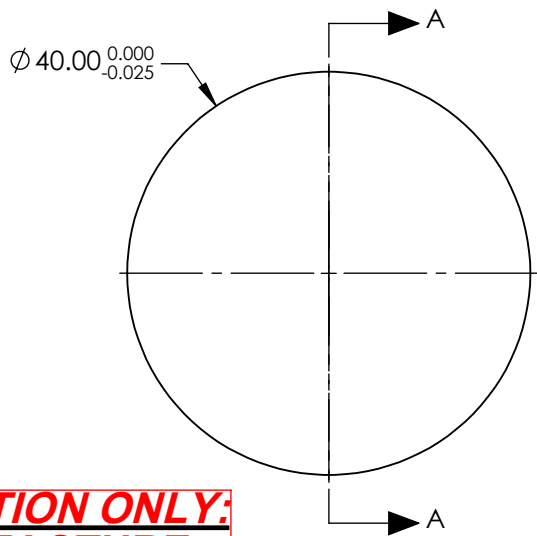


NOTES:

1. SUBSTRATE: N-SF5
2. COATING (APPLY ACROSS CLEAR APERTURE)
S1 & S2: VIS-EXT+ (350-700nm)
R(AVG) <0.5% @ 350 - 700nm @ ±30° AOI
R(ABS) <1.5% @ 350 - 700nm @ ±30° AOI
3. EDGES: FINE GROUND
4. CENTERING: <3 ARCMIN
5. ASPHERE FIGURE ERROR: 0.25µm RMS

6. ASPHERIC SURFACE DESCRIBED BY (REF. COEFFICIENT TABLE)

$$Z_{ASPH}(Y) = \frac{(\frac{1}{RADIUS})^2 * Y^2}{1 + \sqrt{1 - (1+k) * (\frac{1}{RADIUS})^2 * Y^2}} + D * Y^2 + E * Y^4 + F * Y^6 + G * Y^8 + H * Y^{10} + J * Y^{12} + L * Y^{14}$$



| COEFFICIENT TABLE 6. | |
|----------------------|---------------|
| COEFFICIENT | S1 |
| SEMI-DIAMETER | 2.000000E+01 |
| (1/RADIUS) | 4.954910E-02 |
| k | -1.819186E+00 |
| D | 0.000000E+00 |
| E | 1.952657E-05 |
| F | -9.527297E-09 |
| G | 1.162971E-11 |
| H | -1.020802E-14 |
| J | 1.221727E-18 |
| L | 0.000000E+00 |

**FOR INFORMATION ONLY:
DO NOT MANUFACTURE
PARTS TO THIS DRAWING**

SPECIFICATIONS SUBJECT TO CHANGE WITHOUT NOTICE DIMENSIONS ARE FOR REFERENCE ONLY

| | | | | | | |
|-----------------|----------------------|----------------------|------------------------|-------|--------|--|
| | S1 | S2 | EFL @ 587.6nm | 30.00 | | Edmund Optics® 40mm Dia., 0.66 Numerical Aperture, 350-700nm Coated, Inked, High Precision Aspheric Lens |
| SHAPE | CONVEX | PLANO | BFL @ 587.6nm | 18.04 | | |
| RADIUS | 20.182 | INFINITY | THIRD ANGLE PROJECTION | | TITLE | |
| SURFACE QUALITY | 40-20 | 40-20 | ALL DIMS IN | mm | DWG NO | 16967INK |
| CLEAR APERTURE | Ø36.00 | Ø36.00 | | | | SHEET 1 OF 1 |
| BEVEL MAX | PROTECTIVE AS NEEDED | PROTECTIVE AS NEEDED | | | | |