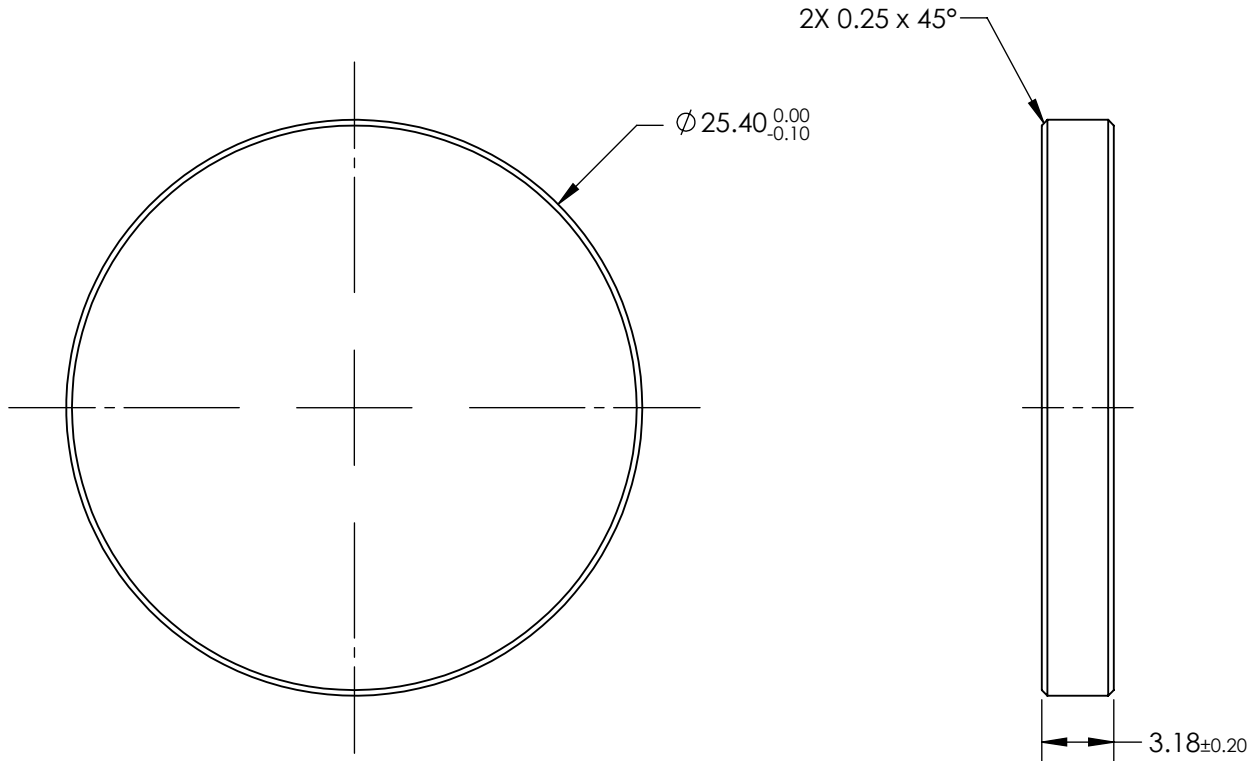
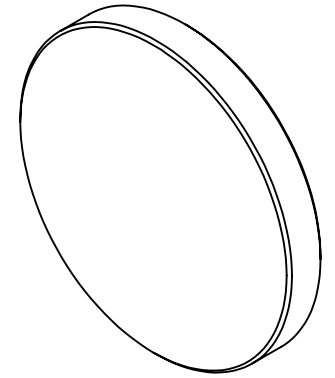


NOTES:

1. SUBSTRATE: VELUMINUM™ TREATED ANODIZED ALUMINUM (6061-T6)
2. ROHS COMPLIANT



SPECIFICATIONS SUBJECT TO CHANGE WITHOUT NOTICE
DIMENSIONS ARE FOR REFERENCE ONLY

**FOR INFORMATION ONLY:
DO NOT MANUFACTURE
PARTS TO THIS DRAWING**

EO® **Edmund Optics**®

THIRD ANGLE PROJECTION 	TITLE	25.4mm Dia., 3.18mm Thick Veluminum™ Panel		
	ALL DIMS IN	mm	DWG NO	17708