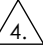
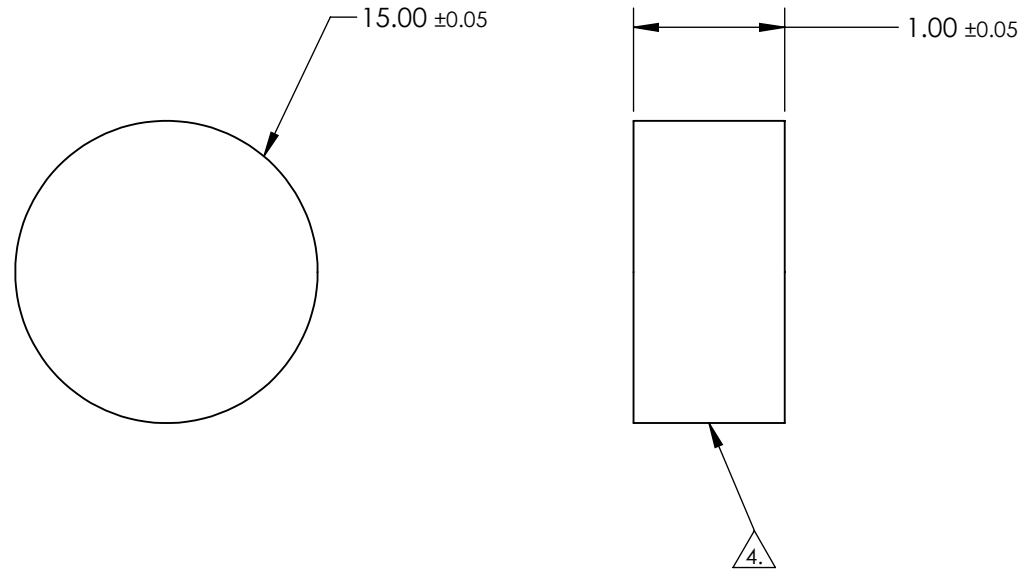


NOTES:

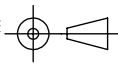
1. SUBSTRATE
Sapphire (Al₂O₃)
Axis Orientation: Random
2. COATING (APPLY ACROSS CLEAR APERTURE)
S1 & S2: NONE
3. SURFACE S2 TO BE PARALLEL TO SURFACE S1 TO WITHIN ≤ 3.5 ARCMIN
4.  FINE GRIND SURFACE
5. ROHS COMPLIANT



**FOR INFORMATION ONLY:
DO NOT MANUFACTURE
PARTS TO THIS DRAWING**

SPECIFICATIONS SUBJECT TO CHANGE WITHOUT NOTICE
DIMENSIONS ARE FOR REFERENCE ONLY

	S1	S2
SHAPE	PLANO	PLANO
SURFACE QUALITY	80 - 50	80 - 50
SURFACE FLATNESS	2λ (typical)	2λ (typical)
CLEAR APERTURE	∅ 13.50	∅ 13.50
BEVEL	PROTECTED AS NEEDED	PROTECTED AS NEEDED

THIRD ANGLE PROJECTION 

ALL DIMS IN mm

 Edmund Optics®	
TITLE	15mm Dia., 1mm Thick, Uncoated, Sapphire Window
DWG NO	17226
SHEET 1 OF 1	