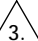
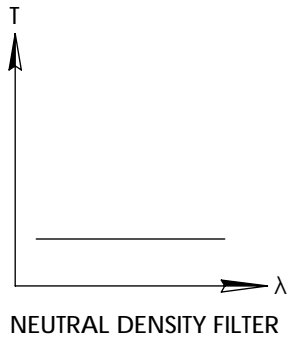
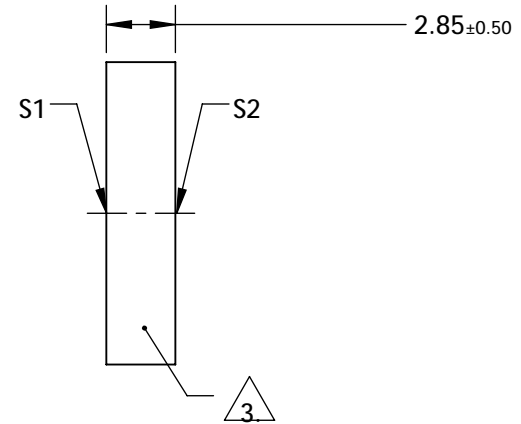
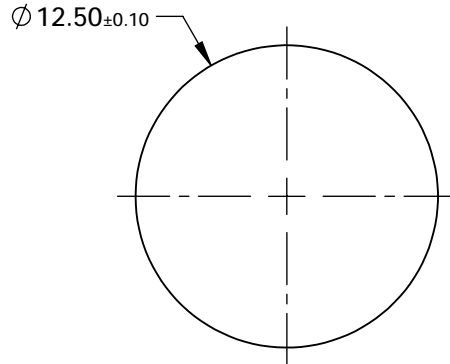
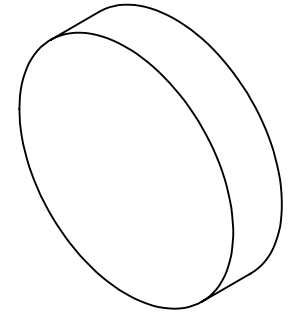


NOTES:

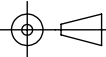
1. SUBSTRATE:
HOYA GLASS: ND-006
2. SURFACE S2 TO BE PARALLEL WITH SURFACE S1 TO WITHIN <0.02 mm
3.  FINE GRIND SURFACE
4. COATING SPECIFICATION:
S1 & S2:R(AVG) ≤0.4% @ 425 - 675nm
5. OPTICAL DENSITY: 4 +/-0.2 @400-700nm
6. TRANSMISSION (%): 0.01% AVERAGE FROM 400-700nm
7. ROHS COMPLIANT

FOR INFORMATION ONLY:
DO NOT MANUFACTURE
PARTS TO THIS DRAWING



SPECIFICATIONS SUBJECT TO CHANGE WITHOUT NOTICE
DIMENSIONS ARE FOR REFERENCE ONLY

 **Edmund Optics®**

	S1	S2	THIRD ANGLE PROJECTION 		TITLE	4 OD, 12.5mm DIA., VIS 0° COATED, ABSORPTIVE ND FILTER	
SHAPE	PLANO	PLANO			DWG NO	13094	SHEET 1 OF 1
SURFACE QUALITY	80-50	80-50	ALL DIMS IN	mm			
BEVEL	PROTECTIVE AS NEEDED	PROTECTIVE AS NEEDED					