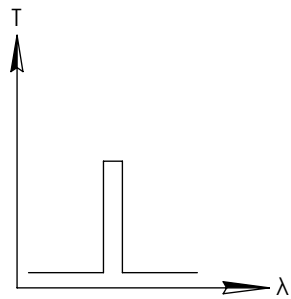
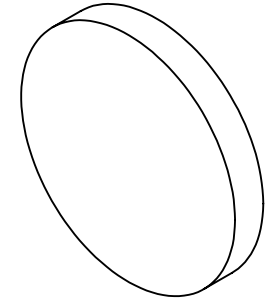
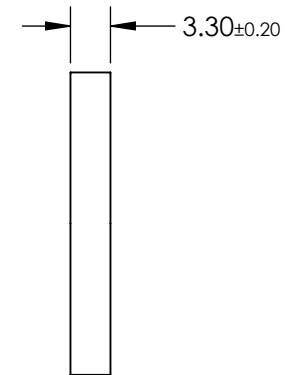
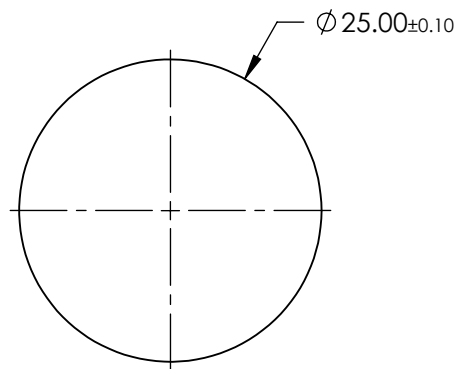


**FOR INFORMATION ONLY:  
DO NOT MANUFACTURE  
PARTS TO THIS DRAWING**



BANDPASS FILTER



	VALUE
CENTER WAVELENGTH (CWL)	450 ± 3nm
FULL WIDTH HALF MAX (FWHM)	25 ± 3nm
MINIMUM TRANSMISSION	≥90%
BLOCKING	200 - 1200nm
CLEAR APERTURE (mm)	Ø22.50
SURFACE QUALITY	80-50
COATING TYPE	HARD COATED
DURABILITY	MIL-C-48497A, SECTION 3.4.1
ENVIRONMENTAL	MIL-STD-810F, SECTION 507.4

SPECIFICATIONS SUBJECT TO CHANGE WITHOUT NOTICE  
DIMENSIONS ARE FOR REFERENCE ONLY

**EO**® **Edmund Optics**®

THIRD ANGLE PROJECTION		TITLE	450nm CWL, 25mm DIA., HARD COATED OD 4.0 25nm UNMOUNTED BANDPASS FILTER
ALL DIMS IN	mm	DWG NO	15151
			SHEET 1 OF 1