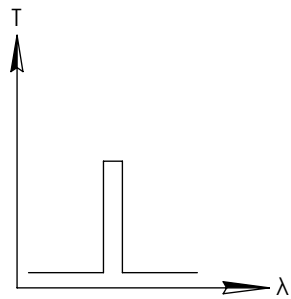
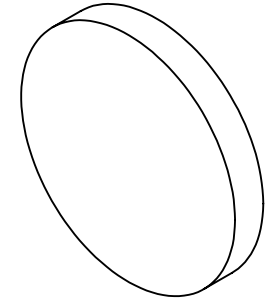
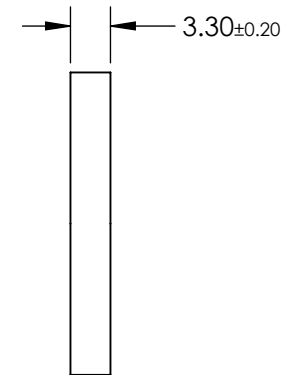
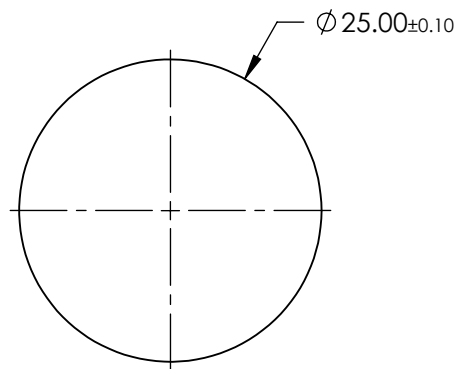


**FOR INFORMATION ONLY:  
DO NOT MANUFACTURE  
PARTS TO THIS DRAWING**



BANDPASS FILTER



	VALUE
CENTER WAVELENGTH (CWL)	1064 ± 2nm
FULL WIDTH HALF MAX (FWHM)	10 ± 2nm
MINIMUM TRANSMISSION	≥85%
BLOCKING	200 - 1200nm
CLEAR APERTURE (mm)	Ø22.50
SURFACE QUALITY	80-50
COATING TYPE	HARD COATED
DURABILITY	MIL-C-48497A, SECTION 3.4.1
ENVIRONMENTAL	MIL-STD-810F, SECTION 507.4

SPECIFICATIONS SUBJECT TO CHANGE WITHOUT NOTICE  
DIMENSIONS ARE FOR REFERENCE ONLY



THIRD ANGLE PROJECTION	TITLE	1064nm CWL, 25mm DIA., HARD COATED OD 4.0 10nm UNMOUNTED BANDPASS FILTER	
ALL DIMS IN	mm	DWG NO	15145
			SHEET 1 OF 1