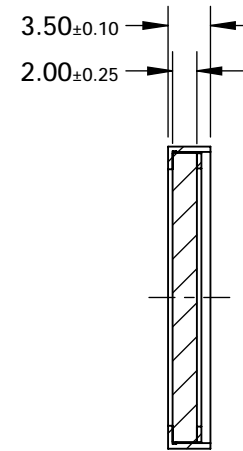
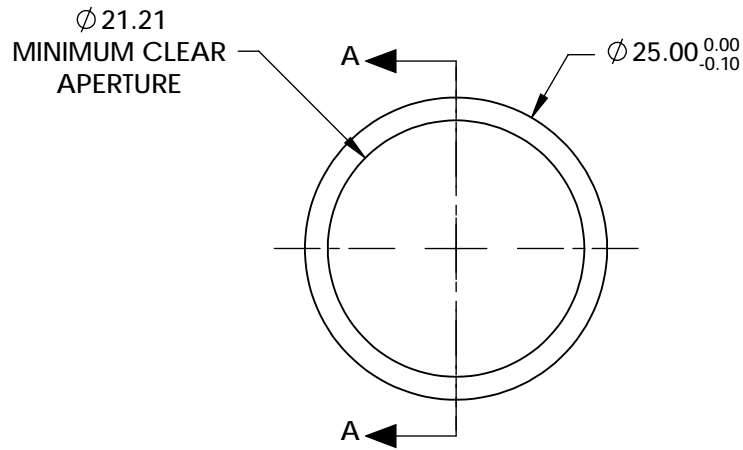


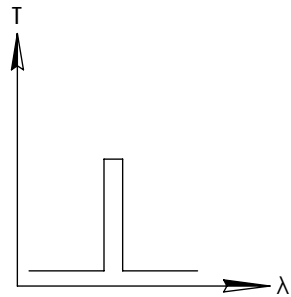
NOTES:

1. SUBSTRATE:  
FUSED SILICA MOUNTED IN BLACK ANODIZED ALUMINUM RING
2. TRANSMITTED WAVEFRONT ERROR:  $\lambda/4$
3. RoHS: COMPLIANT

**FOR INFORMATION ONLY:  
DO NOT MANUFACTURE  
PARTS TO THIS DRAWING**



SECTION A-A



BANDPASS FILTER

	VALUE
CENTER WAVELENGTH (CWL) (nm)	$534.5 \pm 2$
MINIMUM BANDWIDTH (nm)	43
FULL WIDTH HALF MAX (FWHM) (nm)	48
MINIMUM TRANSMISSION (%)	>93
OD6 BLOCKING RANGE (nm)	250 - 497 & 588 - 1000
SURFACE QUALITY	60-40
COATING TYPE	HARD COATED
DURABILITY	MIL-C-48497A SECT. 3.4.1
ENVIRONMENTAL	MIL-STD-801F, SECT. 507.4

SPECIFICATIONS SUBJECT TO CHANGE WITHOUT NOTICE  
DIMENSIONS ARE FOR REFERENCE ONLY

**EO**® Edmund Optics®



TITLE

OD6,  $\phi 25$ mm, 534.5nm x 48nm, BP  
FLUORESCENCE FILTER

ALL DIMS IN

mm

DWG NO

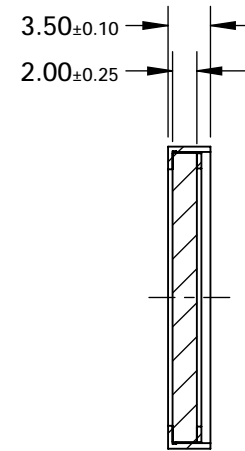
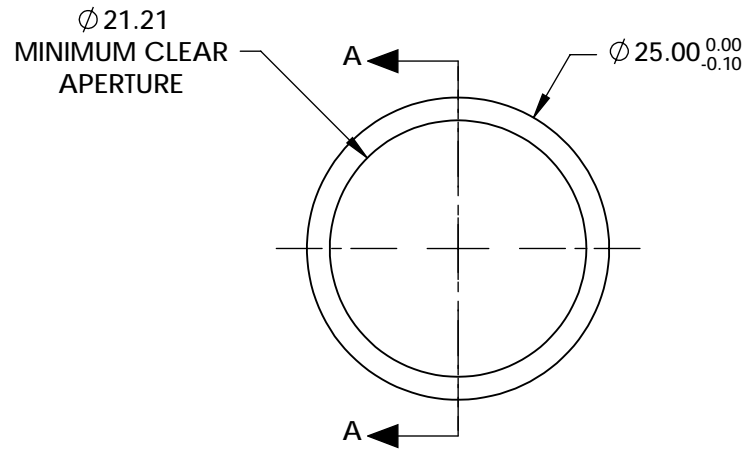
67031

SHEET  
1 OF 1

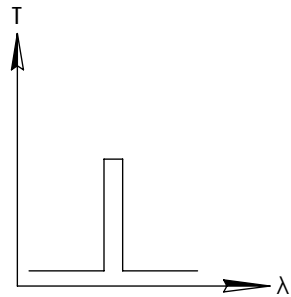
NOTES:

1. SUBSTRATE:  
FUSED SILICA MOUNTED IN BLACK ANODIZED ALUMINUM RING
2. TRANSMITTED WAVEFRONT ERROR:  $\lambda/4$
3. RoHS: COMPLIANT

**FOR INFORMATION ONLY:  
DO NOT MANUFACTURE  
PARTS TO THIS DRAWING**



SECTION A-A



BANDPASS FILTER

	VALUE
CENTER WAVELENGTH (CWL) (nm)	$591.5 \pm 2$
MINIMUM BANDWIDTH (nm)	43
FULL WIDTH HALF MAX (FWHM) (nm)	49
MINIMUM TRANSMISSION (%)	>93
OD6 BLOCKING RANGE (nm)	440 - 555 & 631 - 725
SURFACE QUALITY	60-40
COATING TYPE	HARD COATED
DURABILITY	MIL-C-48497A SECT. 3.4.1
ENVIRONMENTAL	MIL-STD-801F, SECT. 507.4

SPECIFICATIONS SUBJECT TO CHANGE WITHOUT NOTICE  
DIMENSIONS ARE FOR REFERENCE ONLY

**EO**® Edmund Optics®



ALL DIMS IN

mm

TITLE

OD6,  $\phi 25$ mm, 591.5nm x 49nm, BP  
FLUORESCENCE FILTER

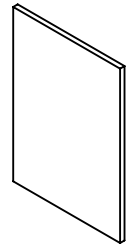
DWG NO

67034

SHEET  
1 OF 1

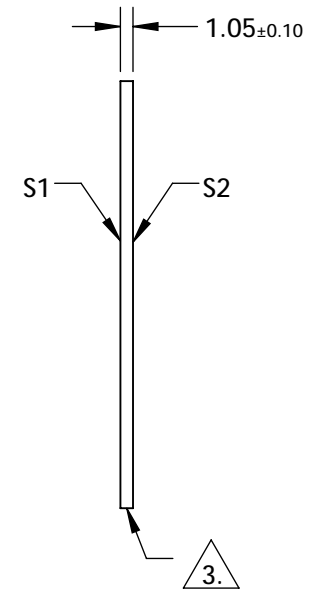
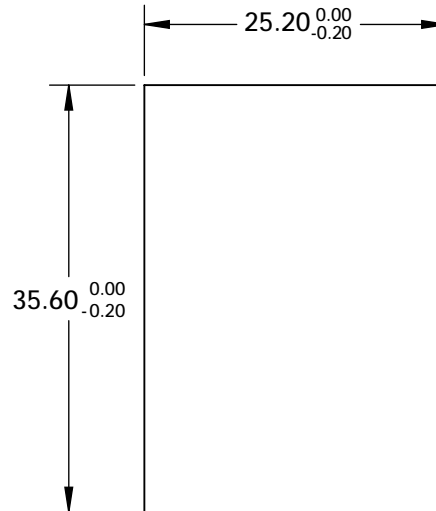
NOTES:

1. SUBSTRATE  
UV GRADE FUSED SILICA
2. COATING (APPLY ACROSS CLEAR APERTURE)  
HARD COATED  
PERFORMANCE SPECS:  
T(AVG) = 90% FROM 570 - 750nm @ 45 ° AOI  
R(AVG) = 98% FROM 490 - 554nm @ 45 ° AOI  
T(ABS) = 50% @ 562nm @ 45 ° AOI



3. FINE GRIND SURFACE

4. SURFACE QUALITY SPECIFICATIONS APPLY ACROSS CLEAR APERTURE
5. TRANSMITTED WAVEFRONT DISTORTION RMS @ 632.8nm  $\leq 1\lambda$
6. ROHS COMPLIANT



**FOR INFORMATION ONLY:  
DO NOT MANUFACTURE  
PARTS TO THIS DRAWING**

SPECIFICATIONS SUBJECT TO CHANGE WITHOUT NOTICE  
DIMENSIONS ARE FOR REFERENCE ONLY

	S1	S2				
SHAPE	PLANO	PLANO				
SURFACE QUALITY	60-40	60-40	THIRD ANGLE PROJECTION		TITLE	562nm, 25.2 X 35.6mm, DICHOIC FILTER
CLEAR APERTURE	22.00 x 32.00	22.00 x 32.00	ALL DIMS IN	mm	DWG NO	67082
BEVEL	PROTECTIVE AS NEEDED	PROTECTIVE AS NEEDED				SHEET 1 OF 1