

TECHSPEC® VIS DRACONIS™ BROADBAND BEAM EXPANDERS

425-700nm • 10X #59-133

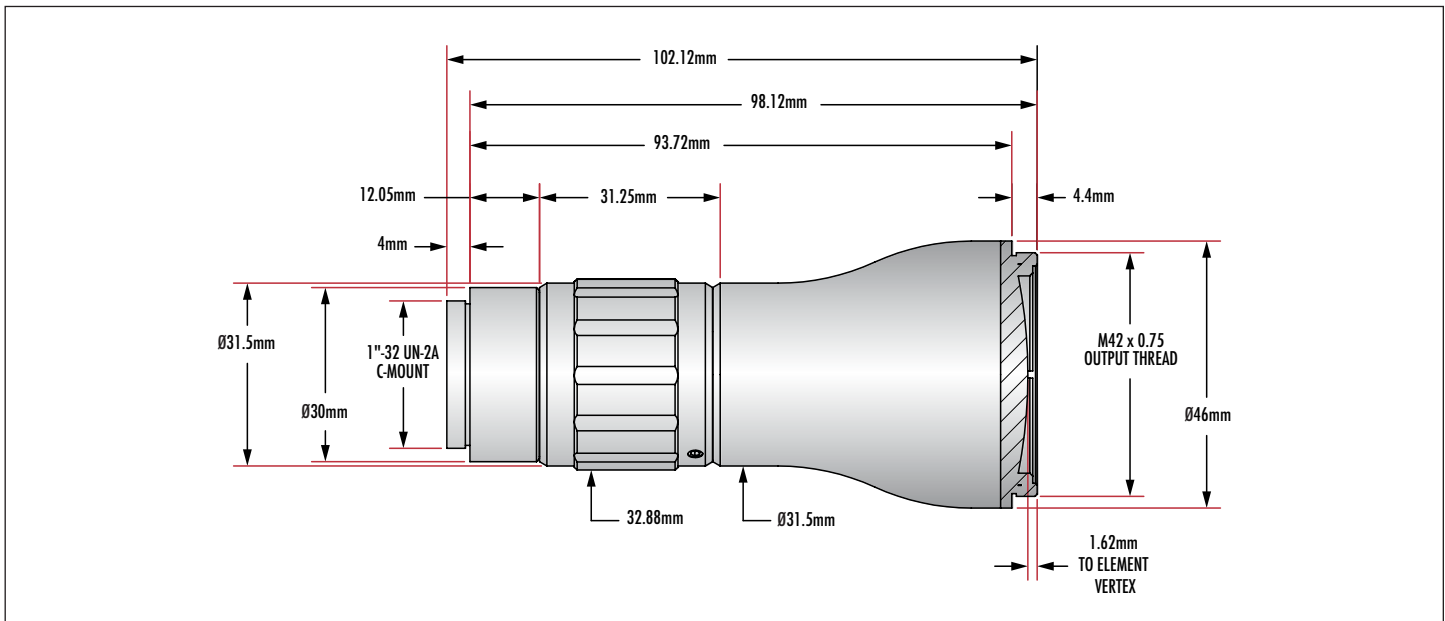
- $\lambda/10$ Transmitted Wavefront
- Collimation Adjustment Using Non-Rotating Optics Minimizes Beam Wander
- Broadband Designs Accommodate Multiple Laser Wavelengths or Tunable Lasers
- TECHSPEC® Draconis™ Nd:YAG Laser Line Beam Expanders Also Available



TECHSPEC® Draconis™ Broadband Beam Expanders feature high performance optical designs that have been optimized and tested for broadband use. These beam expanders eliminate the need for critical alignment due to their diffraction-limited performance over large input beam diameters and wide acceptance angles. Their broadband designs enable use with multiple laser lines or tunable lasers, reducing the number of beam expanders required for your optical system. Additionally, the optical design ensures internal focusing of ghost images is not present, which allows compatibility with high power lasers. Focus adjustment is also provided, which can be used for divergence correction or collimation. TECHSPEC® Draconis™ Broadband Beam Expanders C and T input/output mounting threads are compatible with Edmund Optics' line of threaded mounting components, or mounting can be achieved using an optional mounting clamp.

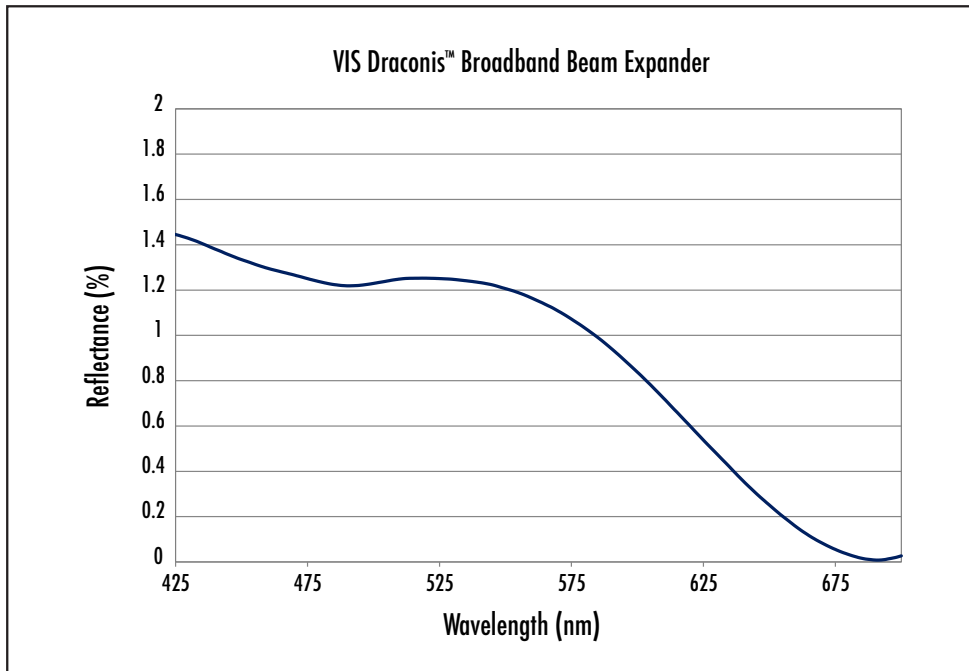
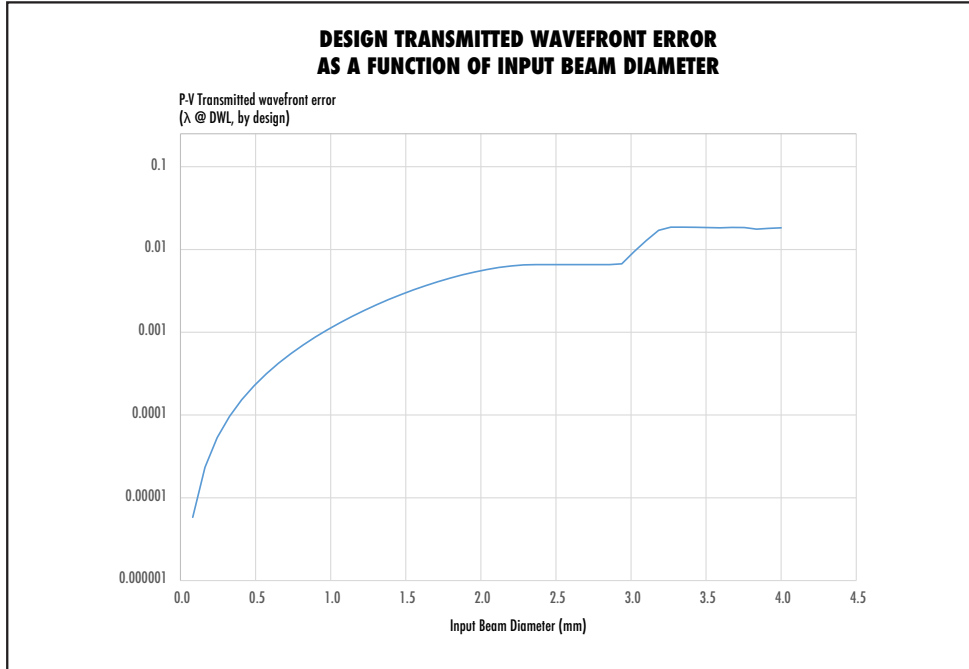
For more information on beam expanders and their application, please see online for our Technical Resource: [Application Note on Beam Expanders](#)

Wavelength Range:	425-700nm
Expansion Power:	10X
Entrance Aperture:	8mm
Exit Aperture:	33mm
Transmitted Wavefront, P-V:	$\lambda/10$ @ 633nm @ 1mm Input Beam $\lambda/4$ @ 633nm @ 3mm Input Beam
Mounting Threads:	Input: Male C-Thread (1" x 32 TPI) Output: Male T2-Thread (M42 x 0.75)
Substrate:	Fused Silica
Housing Diameter:	46mm
Length:	98mm
Angle of Incidence:	0°
Coating:	BBAR (425-700nm)
Coating Specification:	$R_{\text{avg}} < 1.0\%$ @ 425 - 700nm
Divergence Adjustment:	Non-Rotating Optics



© COPYRIGHT 2019 EDMUND OPTICS, INC. ALL RIGHTS RESERVED

TECHSPEC® VIS DRACONIS™
BROADBAND BEAM EXPANDERS
 425-700nm • 10X #59-133



© COPYRIGHT 2019 EDMUND OPTICS, INC. ALL RIGHTS RESERVED