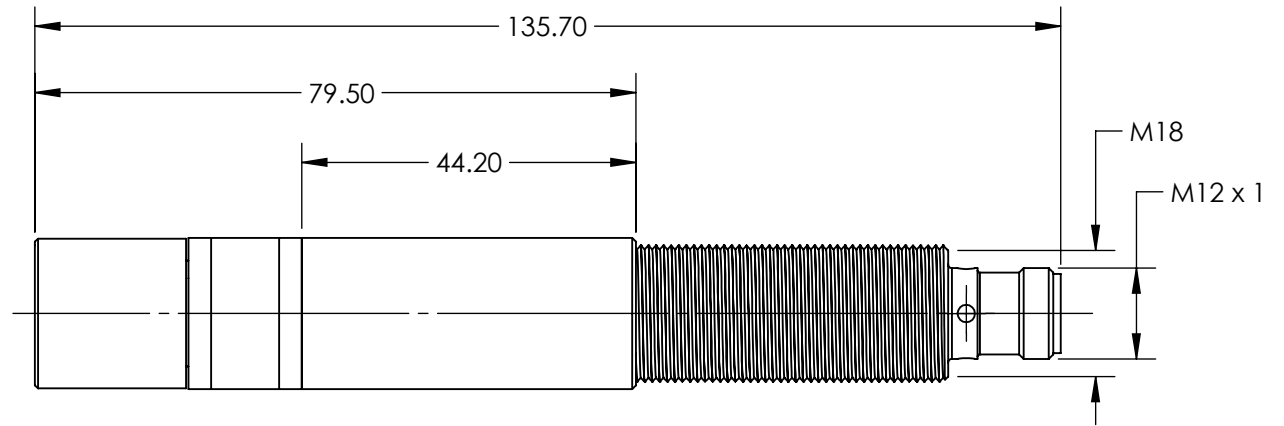
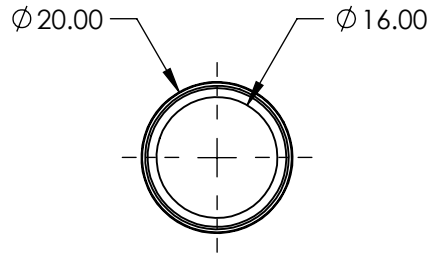


NOTES:

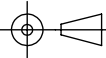
1. RoHS: COMPLIANT



SPECIFICATIONS SUBJECT TO CHANGE WITHOUT NOTICE  
 DIMENSIONS ARE FOR REFERENCE ONLY

**FOR INFORMATION ONLY:  
 DO NOT MANUFACTURE  
 PARTS TO THIS DRAWING**

**EO<sup>®</sup> Edmund Optics<sup>®</sup>**

THIRD ANGLE PROJECTION 	TITLE	20mW, 20° Uniform Line, Harsh Environment Green Diode		
	ALL DIMS IN	mm	DWG NO	64830