
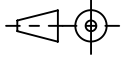
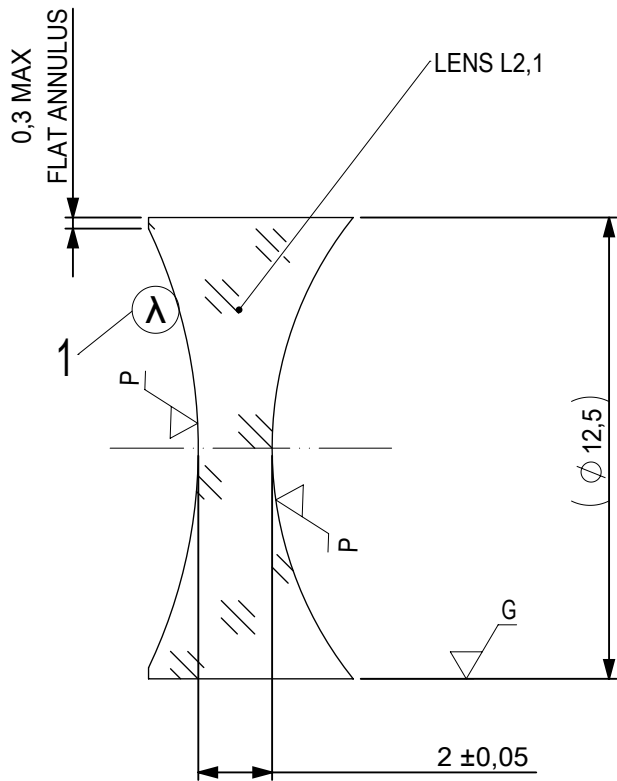


FOCAL LENGTH (EFL): $-20 \pm 0,2$
 BACK FOCAL LENGTH (BFL): $-22,88$

1 BLACKENED SURFACE

SURFACE A	SURFACE B	SURFACE C
$\text{Øe } 11,5$	$\text{Øe } 11,5$	$\text{Øe } 11,5$
CEMENT: NOA 61 OR EQUIVALENT		

PROTECTIVE CHAMFERS AS NEEDED		FIRST ANGLE PROJECTION	 Edmund Optics[®]	
ROHS: COMPLIANT	SCALE: NONE $\lambda = 587,6\text{nm}$			
SPECIFICATIONS SUBJECT TO CHANGE WITHOUT NOTICE. DIMENSIONS ARE FOR REFERENCE ONLY			TITLE	12,5mm Dia x -20mm FL, Inked, Negative Doublet Lens MgF2 Coated
FOR INFORMATION ONLY: DO NOT MANUFACTURE PARTS TO THIS DRAWING			ALL DIMS IN: mm	DWG NO
INDICATIONS IN ACCORDANCE WITH ISO 10110			SHEET SIZE	A4
				SHEET 1 OF 3



1 AR COATING:

¼ WAVE MgF2 @ 550nm
 R(AVG) < 1,75% FROM 400-700nm (N-BK7)

LEFT SURFACE	MATERIAL	RIGHT SURFACE
R 13,8±0,014 CV Øe 11,5 3/ 3 (0,5) λ=632,8 nm 4/ - 5/ 40 - 20 (MIL-PRF-13830B) 6/ -	GLASS N-BaF10 670/472	R 9,99±0,01 CV Øe 11,5 3/ 3 (0,5) λ=632,8 nm 4/ - 5/ 40 - 20 (MIL-PRF-13830B) 6/ -

PROTECTIVE CHAMFERS AS NEEDED

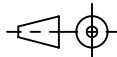
ROHS: COMPLIANT SCALE: NONE λ = 587,6nm

SPECIFICATIONS SUBJECT TO CHANGE WITHOUT NOTICE. DIMENSIONS ARE FOR REFERENCE ONLY

FOR INFORMATION ONLY: DO NOT MANUFACTURE PARTS TO THIS DRAWING

INDICATIONS IN ACCORDANCE WITH ISO 10110

FIRST ANGLE PROJECTION



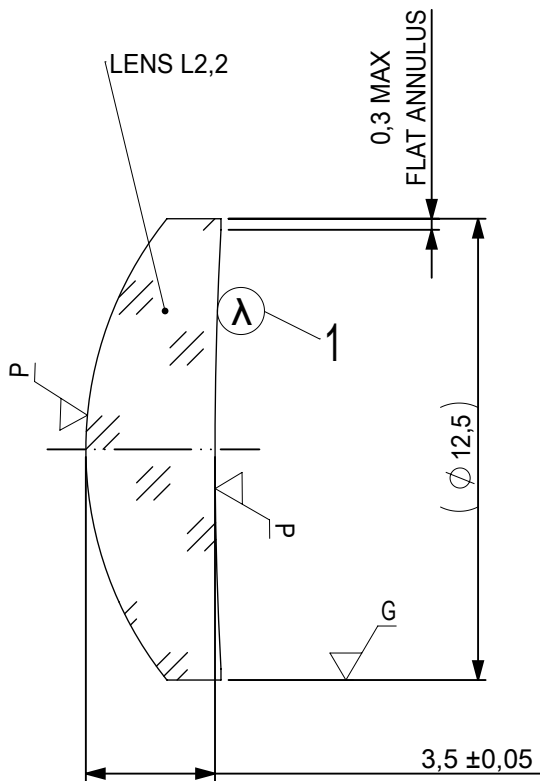
ALL DIMS IN: mm

EO® Edmund Optics®

TITLE 12,5mm Dia x -20mm FL, Inked, Negative Doublet Lens MgF2 Coated

DWG NO 624751NK

SHEET SIZE A4 SHEET 2 OF 3



1 AR COATING:

1/4 WAVE MgF2 @ 550nm
 R(AVG) < 1,75% FROM 400-700nm (N-BK7)

LEFT SURFACE	MATERIAL	RIGHT SURFACE
R 9,99±0,01 CX Øe 11,5 3/ 3 (0,5) λ=632,8 nm 4/ - 5/ 40 - 20 (MIL-PRF-13830B) 6/ -	GLASS N-SF10 728/284	R 109,48±0,109 CV Øe 11,5 3/ 3 (0,5) λ=632,8 nm 4/ - 5/ 40 - 20 (MIL-PRF-13830B) 6/ -

PROTECTIVE CHAMFERS AS NEEDED		FIRST ANGLE PROJECTION		
ROHS: COMPLIANT	SCALE: NONE λ = 587,6nm			
SPECIFICATIONS SUBJECT TO CHANGE WITHOUT NOTICE. DIMENSIONS ARE FOR REFERENCE ONLY			TITLE 12,5mm Dia x -20mm FL, Inked, Negative Doublet Lens MgF2 Coated	
FOR INFORMATION ONLY: DO NOT MANUFACTURE PARTS TO THIS DRAWING			ALL DIMS IN: mm	DWG NO 624751NK
INDICATIONS IN ACCORDANCE WITH ISO 10110				SHEET 3 OF 3