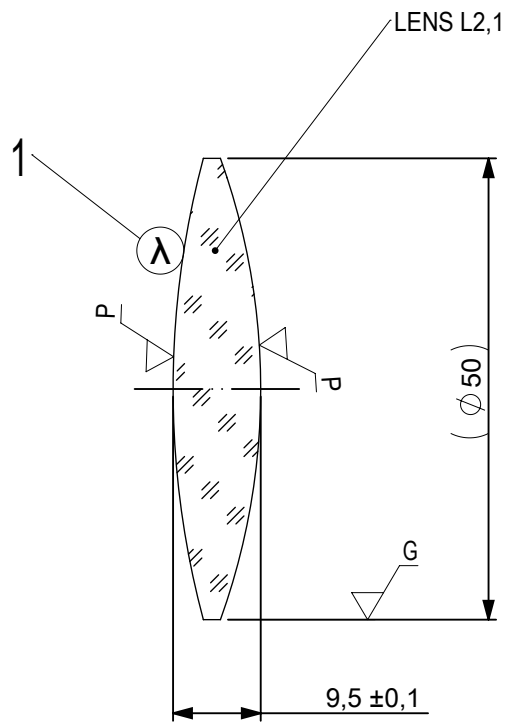


FOCAL LENGTH (EFL): $150 \pm 1,5$
 BACK FOCAL LENGTH (BFL): 143,17

1 BLACKENED SURFACE

SURFACE A	SURFACE B	SURFACE C
$\varnothing e 49$	$\varnothing e 49$	$\varnothing e 49$
CEMENT: NOA 61 OR EQUIVALENT		

PROTECTIVE CHAMFERS AS NEEDED		FIRST ANGLE PROJECTION		Edmund Optics[®]	
ROHS: COMPLIANT	SCALE: NONE $\lambda = 587,6nm$				
SPECIFICATIONS SUBJECT TO CHANGE WITHOUT NOTICE. DIMENSIONS ARE FOR REFERENCE ONLY			TITLE	50mm Dia, x 150mm FL, VIS 0, Inked, Achromatic Lens	
FOR INFORMATION ONLY: DO NOT MANUFACTURE PARTS TO THIS DRAWING			ALL DIMS IN:	DWG NO	49285INK
INDICATIONS IN ACCORDANCE WITH ISO 10110		mm			SHEET 1 OF 3



1 AR COATING: VIS 0°
R(AVG) ≤ 0,4% FROM 425-675nm @ 0° AOI

LEFT SURFACE	MATERIAL	RIGHT SURFACE
R 96,85±0,097 CX	GLASS N-BaK4 569/561	R 73,74±0,074 CX
Øe 49		Øe 49
3/ 3 (0,5) λ=632,8 nm		3/ 3 (0,5) λ=632,8 nm
4/ -		4/ -
5/ 40 - 20 (MIL-PRF-13830B)		5/ 40 - 20 (MIL-PRF-13830B)
6/ -		6/ -

PROTECTIVE CHAMFERS AS NEEDED

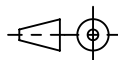
ROHS: COMPLIANT
SCALE: NONE λ = 587,6nm

SPECIFICATIONS SUBJECT TO CHANGE WITHOUT NOTICE. DIMENSIONS ARE FOR REFERENCE ONLY

FOR INFORMATION ONLY: DO NOT MANUFACTURE PARTS TO THIS DRAWING

INDICATIONS IN ACCORDANCE WITH ISO 10110

FIRST ANGLE PROJECTION



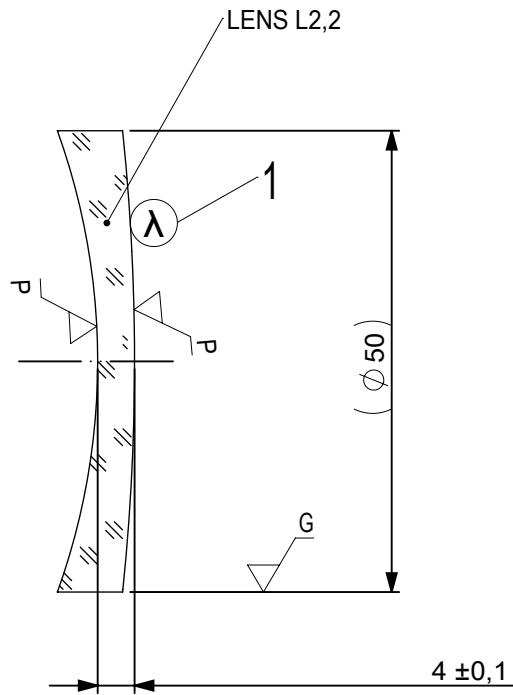
ALL DIMS IN: mm

EO® Edmund Optics®

TITLE 50mm Dia, x 150mm FL, VIS 0, Inked, Achromatic Lens


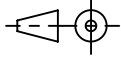
DWG NO 492851NK

SHEET SIZE A4 SHEET 2 OF 3



1 AR COATING: VIS 0°
R(AVG) ≤ 0,4% FROM 425-675nm @ 0° AOI

LEFT SURFACE	MATERIAL	RIGHT SURFACE
R 73,74±0,074 CV	GLASS N-SF10 728/284	R 241,63±0,242 CX
Øe 49		Øe 49
3/ 3 (0,5) λ=632,8 nm		3/ 3 (0,5) λ=632,8 nm
4/ -		4/ -
5/ 40 - 20 (MIL-PRF-13830B)		5/ 40 - 20 (MIL-PRF-13830B)
6/ -		6/ -

PROTECTIVE CHAMFERS AS NEEDED		FIRST ANGLE PROJECTION	 Edmund Optics®		
ROHS: COMPLIANT	SCALE: NONE λ = 587,6nm				
SPECIFICATIONS SUBJECT TO CHANGE WITHOUT NOTICE. DIMENSIONS ARE FOR REFERENCE ONLY			TITLE	50mm Dia, x 150mm FL, VIS 0, Inked, Achromatic Lens	
FOR INFORMATION ONLY: DO NOT MANUFACTURE PARTS TO THIS DRAWING			ALL DIMS IN: mm	DWG NO	492851NK
INDICATIONS IN ACCORDANCE WITH ISO 10110				SHEET SIZE	SHEET 3 OF 3