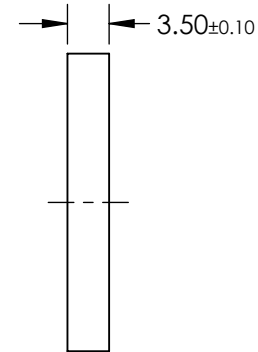
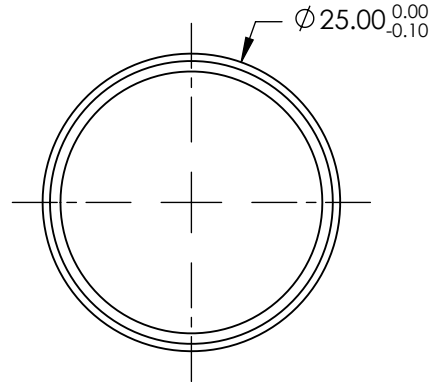
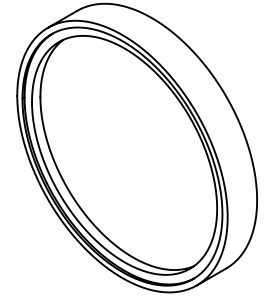


**FOR INFORMATION ONLY:  
DO NOT MANUFACTURE  
PARTS TO THIS DRAWING**



SUBSTRATE	Fused Silica
ANGLE OF INCIDENCE	0 ±2
BANDWIDTH (nm)	>808
CENTER WAVELENGTH CWL (nm)	325
OPTICAL DENSITY OD	≥6.0
SHAPE	PLANO
SURFACE QUALITY	60-40
TRANSMISSION (%)	93
EDGE STEEPNESS (nm)	4.0
TRANSITION WIDTH (nm)	8.1
CLEAR APERTURE (%)	>88
DURABILITY	Environmental: MIL-STD-810F, Physical: MIL-C-48497A
RoHS	COMPLIANT

SPECIFICATIONS SUBJECT TO CHANGE WITHOUT NOTICE  
DIMENSIONS ARE FOR REFERENCE ONLY

**EO**® Edmund Optics®

THIRD ANGLE PROJECTION	TITLE	25mm Dia., 808nm Laser Line Longpass Filter	
ALL DIMS IN	DWG NO	mm	12256
			SHEET 1 OF 1