

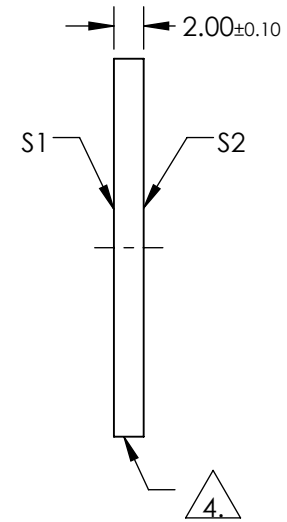
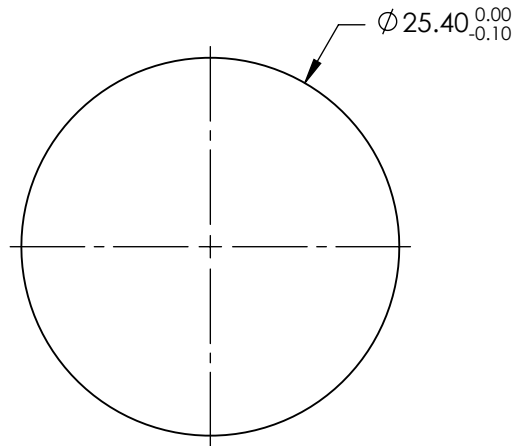
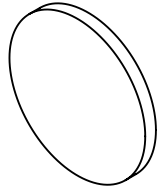
NOTES:

1. SUBSTRATE: ZnSe
2. SURFACE S2 TO BE PARALLEL TO SURFACE S1 TO WITHIN < 3 ARCMIN
3. COATING (APPLY ACROSS COATING APERTURE)

S1 & S2: NONE

4. FINE GRIND SURFACE

5. RoHS: COMPLIANT



**FOR INFORMATION ONLY:  
DO NOT MANUFACTURE  
PARTS TO THIS DRAWING**

SPECIFICATIONS SUBJECT TO CHANGE WITHOUT NOTICE  
DIMENSIONS ARE FOR REFERENCE ONLY

	S1	S2	Edmund Optics®											
SHAPE	PLANO	PLANO	<div style="display: flex; align-items: center;"> <div style="margin-right: 10px;">                     THIRD ANGLE PROJECTION  </div> <div style="flex-grow: 1;"> <table border="1" style="width: 100%;"> <tr> <td>TITLE</td> <td colspan="3">25.4mm DIA x 2mm THICK UNCOATED ZnSe WINDOW</td> </tr> <tr> <td>DWG NO</td> <td>39396</td> <td colspan="2">SHEET 1 OF 1</td> </tr> </table> </div> </div>				TITLE	25.4mm DIA x 2mm THICK UNCOATED ZnSe WINDOW			DWG NO	39396	SHEET 1 OF 1	
TITLE	25.4mm DIA x 2mm THICK UNCOATED ZnSe WINDOW													
DWG NO	39396	SHEET 1 OF 1												
SURFACE QUALITY	40-20	40-20												
SURFACE FLATNESS @ 10.6µm	λ/20	λ/20												
CLEAR APERTURE	Ø22.86	Ø22.86												
BEVEL	PROTECTIVE AS NEEDED	PROTECTIVE AS NEEDED												
			ALL DIMS IN	mm	DWG NO	39396								