

NOTES:

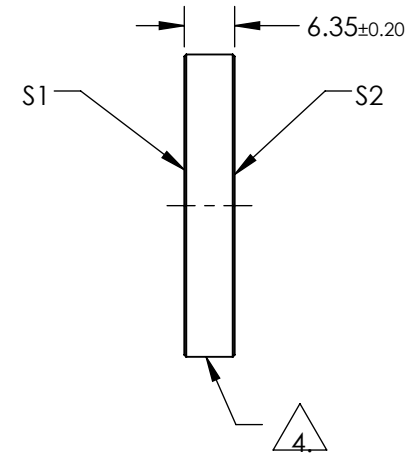
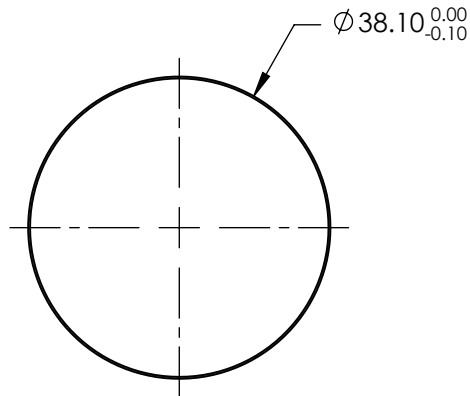
1. SUBSTRATE:
FUSED SILICA
2. S2 TO BE PARALLEL TO S1 TO WITHIN <3ARCMIN
3. COATING (APPLY ACROSS COATING APERTURE)
S1: BROADBAND
R(AVG) >98% from 400 - 750nm @ 0 - 45 deg AOI For All Polarizations
R(AVG) >99% from 400-750nm @ 0 - 45 deg AOI For S-Polarization

DAMAGE THRESHOLD,
PULSED: 0.5J/cm², 20ns , 20Hz @ 532nm

S2: NONE

4. FINE GROUND SURFACE

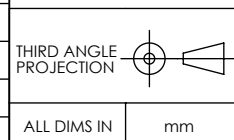
5. CLEAR APERTURE AND COATING APERTURE ARE CENTERED ON SURFACE
6. SURFACE QUALITY SPECIFICATIONS APPLY ACROSS CLEAR APERTURE
7. ROHS: COMPLIANT




**FOR INFORMATION ONLY:
DO NOT MANUFACTURE
PARTS TO THIS DRAWING**

SPECIFICATIONS SUBJECT TO CHANGE WITHOUT NOTICE
DIMENSIONS ARE FOR REFERENCE ONLY

	S1	S2
SHAPE	PLANO	PLANO
SURFACE QUALITY	20-10	COMMERCIAL POLISH
SURFACE FLATNESS	$\lambda/10$ (BEFORE COATING)	N/A
CLEAR APERTURE	Ø34.29	N/A
COATING APERTURE	Ø37.10	N/A
BEVEL	PROTECTIVE AS NEEDED	PROTECTIVE AS NEEDED



 Edmund Optics®	
TITLE	MIRROR BROADBAND 400-750nm 38.1mm DIA
DWG NO	39219
	SHEET 1 OF 1