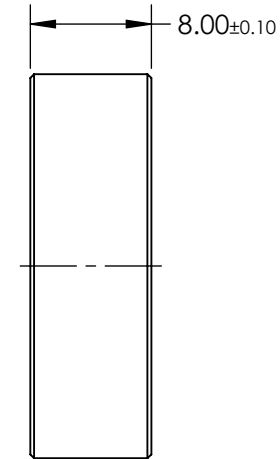
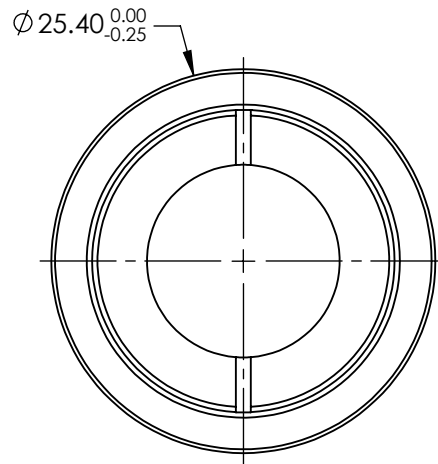
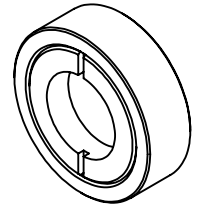


NOTES:

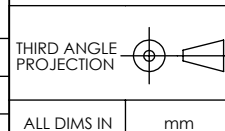
1. SUBSTRATE:  
CRYSTAL QUARTZ AND MgF2
  
2. COATING SPECIFICATION (APPLY ACROSS COATING APERTURE)  
  
S1 & S2: R(AVG) < 1% @ 465 - 610nm  
  
DAMAGE THRESHOLD, CW: 500 kW/cm<sup>2</sup>  
(PULSED): 2 J/cm<sup>2</sup> FOR 8ns @ 1064nm
  
3. CONSTRUCTION: CRYSTALLINE
  
4. ROHS: COMPLIANT



**FOR INFORMATION ONLY:  
DO NOT MANUFACTURE  
PARTS TO THIS DRAWING**

SPECIFICATIONS SUBJECT TO CHANGE WITHOUT NOTICE  
DIMENSIONS ARE FOR REFERENCE ONLY

REV. A	VALUE
WAVELENGTH RANGE (nm)	465 - 610
SURFACE QUALITY	20 - 10
CLEAR APERTURE (mm)	$\varnothing 11.50$
RETARDANCE	$\lambda/4$
RETARDANCE TOLERANCE	$\leq \lambda/100$



ALL DIMS IN

mm

**EO**® **Edmund Optics**®

TITLE

25.4mm Dia, 465-610nm,  $\lambda/4$  Wave Achromatic Waveplate

DWG NO

46558

SHEET  
1 OF 1