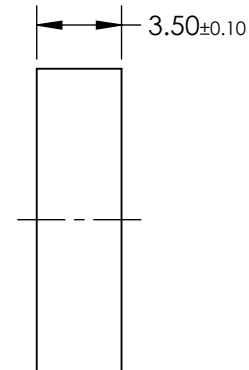
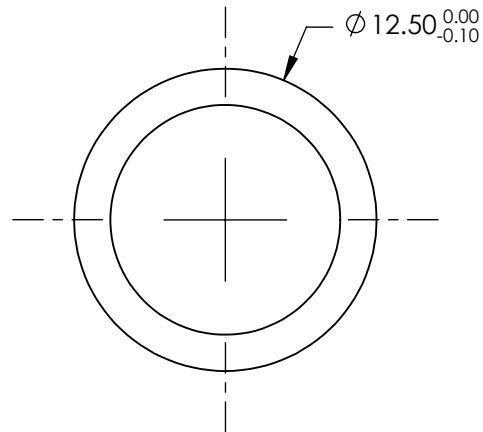
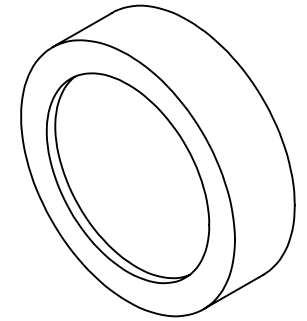


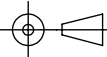
**FOR INFORMATION ONLY:  
DO NOT MANUFACTURE  
PARTS TO THIS DRAWING**



CENTER WAVELENGTH CWL (nm)	355
BANDWIDTH (nm)	1.3
OPTICAL DENSITY OD	$\geq 6.0$
TRANSMISSION (%)	$> 90$
SURFACE QUALITY	60-40
ANGLE OF INCIDENCE (°)	$0 \pm 2$
DURABILITY (ENVIRONMENTAL)	MIL-STD-810F Paragraphs 501.4, 502.4, AND 507.4
DURABILITY (PHYSICAL)	MIL-C-48497A Paragraphs 4.5.3.1, 4.5.3.2, 4.5.3.3, 4.5.4.2, AND 4.5.5.3
OD 5 BLOCKING WAVELENGTH RANGE (nm)	315-352 & 359-423
OD 6 BLOCKING WAVELENGTH RANGE (nm)	327-350 & 360-390
RoHS	COMPLIANT

SPECIFICATIONS SUBJECT TO CHANGE WITHOUT NOTICE  
DIMENSIONS ARE FOR REFERENCE ONLY

**EO**® **Edmund Optics**®

THIRD ANGLE PROJECTION 	TITLE	355nm High Performance Laser Line Filter 12.5mm Dia.	
	ALL DIMS IN	mm	DWG NO 64240
			SHEET 1 OF 1