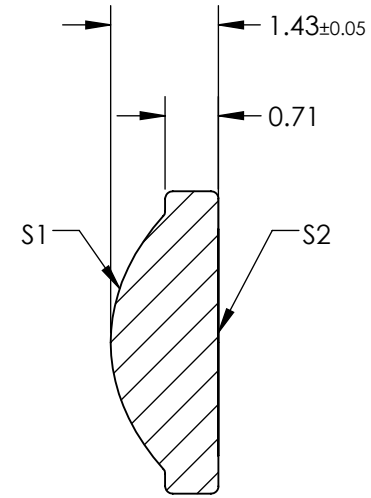
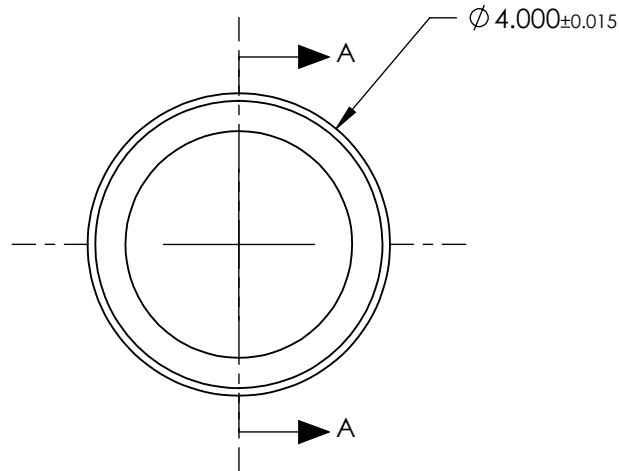


NOTES:

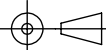
1. SUBSTRATE:
D-ZLAF52LA
2. NUMERICAL APERTURE: 0.55
3. COATING
S1 & S2: R(ABS) < 1.0% @ 1050 - 1600nm
4. FOCAL LENGTH TOLERANCE: ±1%
5. TRANSMITTED WAVEFRONT ERROR (λ , RMS): < 0.087



SECTION A-A

**FOR INFORMATION ONLY:
DO NOT MANUFACTURE
PARTS TO THIS DRAWING**

SPECIFICATIONS SUBJECT TO CHANGE WITHOUT NOTICE DIMENSIONS ARE FOR REFERENCE ONLY

	S1	S2	EFL	2.73	 Edmund Optics®
			BFL	2.37	
SHAPE	CONVEX	PLANO	THIRD ANGLE PROJECTION 	TITLE	0.55 NA 2.73mm FL 1050-1600nm AR COATED, MOLDED ASPHERIC LENS
SURFACE QUALITY	40-20	40-20		DWG NO	83607
CLEAR APERTURE	$\varnothing 3.00$	$\varnothing 3.00$		ALL DIMS IN	mm
BEVEL MAX	PROTECTIVE AS NEEDED	PROTECTIVE AS NEEDED			SHEET 1 OF 1