

NOTES:

1. SUBSTRATE: N-BK7
2. COATING
S1 & S2: R(ABS) < 0.25% @ 1064nm



EDGES: FINE GRIND

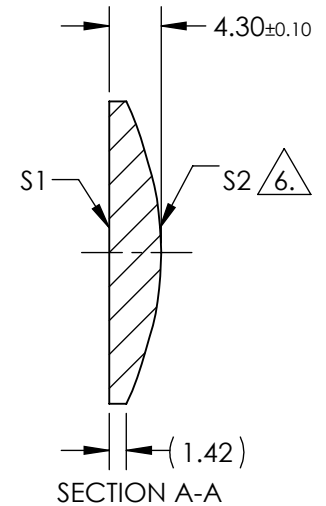
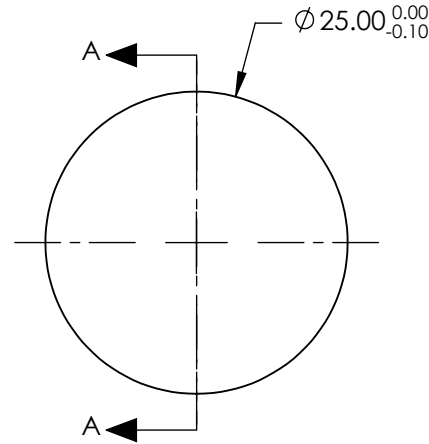
4. CENTERING: <5 ARCMIN

5. ASPHERE FIGURE ERROR @ 632.8nm: 1.6λ RMS and 6λ PV



ASPHERIC SURFACE DESCRIBED BY (REF. COEFFICIENT TABLE)

$$Z_{ASPH}(Y) = \frac{(1/RADIUS) * Y^2}{1 + \sqrt{1 - (1+k) * (1/RADIUS)^2 * Y^2}} + D * Y^2 + E * Y^4 + F * Y^6 + G * Y^8 + H * Y^{10} + J * Y^{12} + L * Y^{14}$$



**FOR INFORMATION ONLY:
DO NOT MANUFACTURE
PARTS TO THIS DRAWING**

COEFFICIENT TABLE	
COEFFICIENT	S1
(1/RADIUS)	3.947888E-02
k	-2.269948E+00
D	0.000000E+00
E	0.000000E+00
F	0.000000E+00
G	0.000000E+00
H	0.000000E+00
J	0.000000E+00
L	0.000000E+00

SPECIFICATIONS SUBJECT TO CHANGE WITHOUT NOTICE DIMENSIONS ARE FOR REFERENCE ONLY

	S1	S2	EFL @ 532.8µm	50.00		Edmund Optics®
SHAPE	PLANO	CONVEX	BFL @ 532.8µm	N/A		
RADIUS	INFINITY	25.33	THIRD ANGLE PROJECTION		TITLE	25mm DIA x 50mm FL, 1064nm V-COAT, Hyperbolic Aspheric Lens
SURFACE QUALITY	60-40	60-40	ALL DIMS IN	mm	DWG NO	89440
CLEAR APERTURE	Ø22.50	Ø22.50			SHEET 1 OF 1	
BEVEL MAX	PROTECTIVE AS NEEDED	PROTECTIVE AS NEEDED				