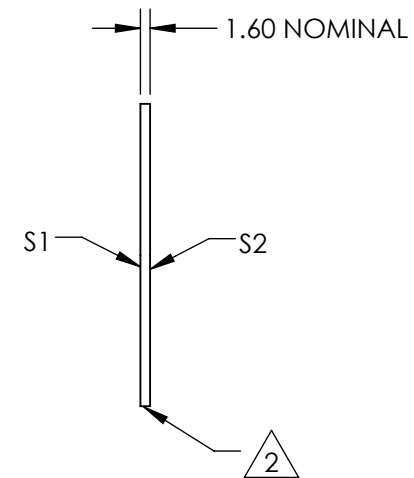
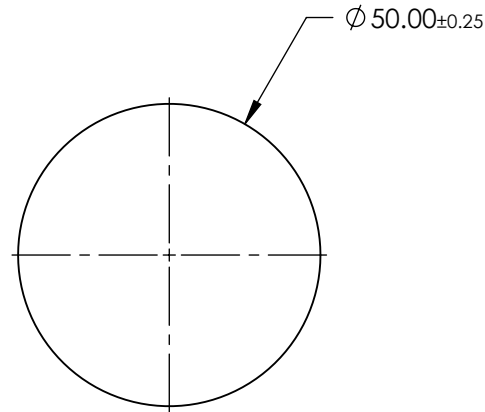
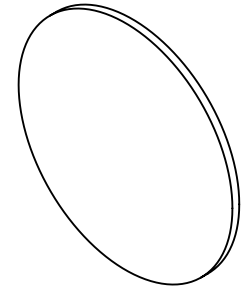


NOTES:

1. SUBSTRATE:
FUSED SILICA

2. FINE GROUND SURFACE

3. RoHS COMPLIANT



**FOR INFORMATION ONLY:
DO NOT MANUFACTURE
PARTS TO THIS DRAWING**

SPECIFICATIONS SUBJECT TO CHANGE WITHOUT NOTICE
DIMENSIONS ARE FOR REFERENCE ONLY

EO® Edmund Optics®

	S1	S2	THIRD ANGLE PROJECTION		TITLE	50mm DIAMETER UV FUSED SILICA GROUND GLASS OPTICAL DIFFUSER	
SHAPE	PLANO	PLANO	ALL DIMS IN	mm	DWG NO	49237	SHEET 1 OF 1
WAVELENGTH RANGE	200 - 2200nm	200 - 2200nm					
BEVEL	PROTECTIVE AS NEEDED	PROTECTIVE AS NEEDED					