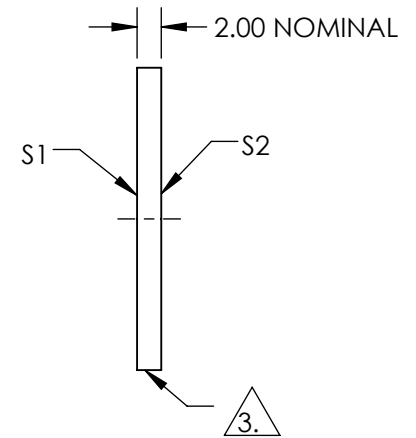
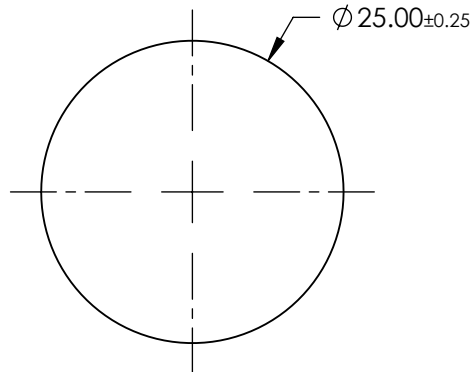
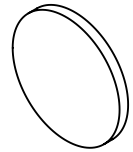


NOTES:

1. SUBSTRATE:
BOROFLOAT®
2. COATING PERFORMANCE (APPLY ACROSS COATING APERTURE)
T(AVG) >80% @ 400 - 550nm
T(AVG) <1.0% @ 640 - 740nm

3. FINE GROUND SURFACE

4. ROHS COMPLIANT



**FOR INFORMATION ONLY:
DO NOT MANUFACTURE
PARTS TO THIS DRAWING**

SPECIFICATIONS SUBJECT TO CHANGE WITHOUT NOTICE
DIMENSIONS ARE FOR REFERENCE ONLY

	S1	S2
SHAPE	PLANO	PLANO
SURFACE QUALITY	80-50	80-50
CLEAR APERTURE	≥85%	≥85%
BEVEL	PROTECTIVE AS NEEDED	PROTECTIVE AS NEEDED



ALL DIMS IN mm

EO® Edmund Optics®

TITLE

25mm Diameter, Cyan Dichroic Filter

DWG NO

52537

SHEET
1 OF 1