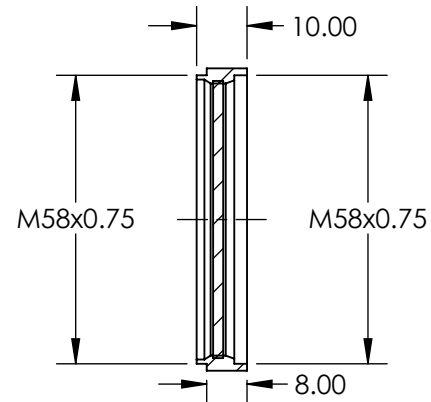
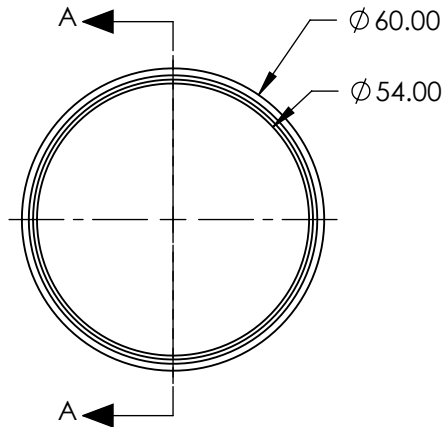
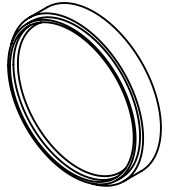


**FOR INFORMATION ONLY:  
DO NOT MANUFACTURE  
PARTS TO THIS DRAWING**

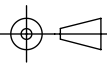


SECTION A-A

SPECIFICATIONS SUBJECT TO CHANGE WITHOUT NOTICE  
DIMENSIONS ARE FOR REFERENCE ONLY



REV. A	VALUE
POLARIZATION EFFICIENCY	95%
TRANSMISSION	SINGLE: 30%; CROSSED: 0.15%

THIRD ANGLE PROJECTION 

ALL DIMS IN mm

TITLE	M58 x 0.75 MOUNTED LINEAR GLASS POLARIZING FILTER
DWG NO	36443
SHEET	1 OF 1