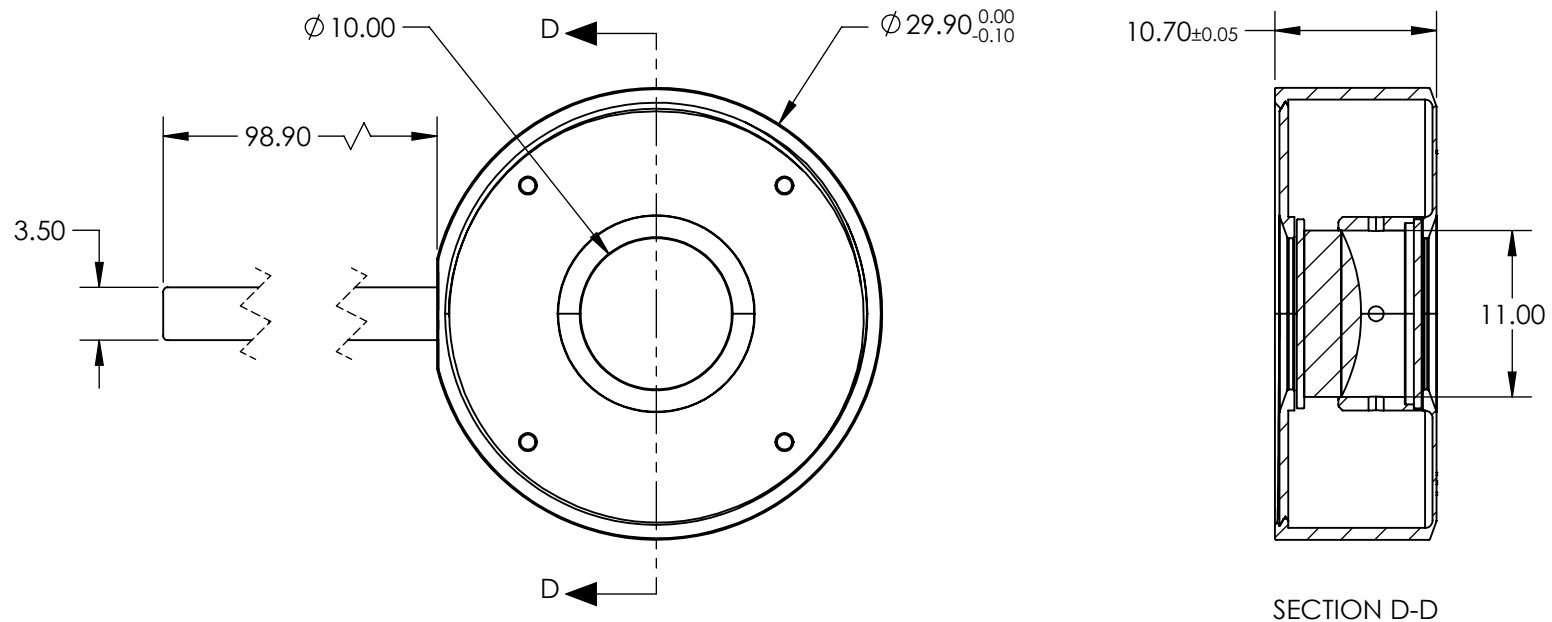


NOTES:

1. SUBSTRATE:  
LOW DISPERSION POLYMER
2. ABBE NUMBER(Vd): 100.00
3. COATING: BBAR (700-1100nm)
4. FOCUS RANGE: +50 to +120mm
5. TRANSMITTED WAVEFRONT ERROR, RMS:  
VERTICAL: 0.2λ @ 525nm  
HORIZONTAL: 0.5λ @ 525nm
6. DAMAGE TRHRESHOLD, CW: 10 kW/cm<sup>2</sup> @ 1064nm
7. ROHS COMPLIANT

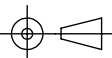


SECTION D-D

SPECIFICATIONS SUBJECT TO CHANGE WITHOUT NOTICE  
DIMENSIONS ARE FOR REFERENCE ONLY

**FOR INFORMATION ONLY:  
DO NOT MANUFACTURE  
PARTS TO THIS DRAWING**

**EO**® Edmund Optics®

THIRD ANGLE PROJECTION 		TITLE	LOW DISPERSION, NIR COATED, ELECTRICALLY FOCUS-TUNABLE LENS	
ALL DIMS IN	mm	DWG NO	34971	SHEET 1 OF 1