

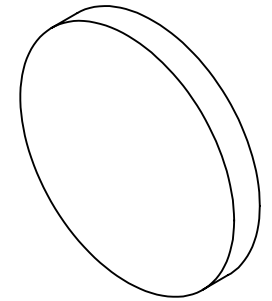
NOTES:

1. SUBSTRATE: UV GRADE FUSED SILICA
2. COATING (APPLY ACROSS COATING APERTURE)

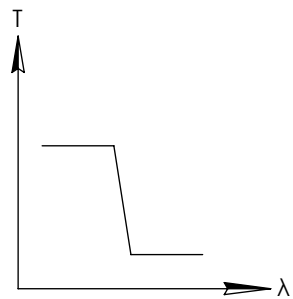
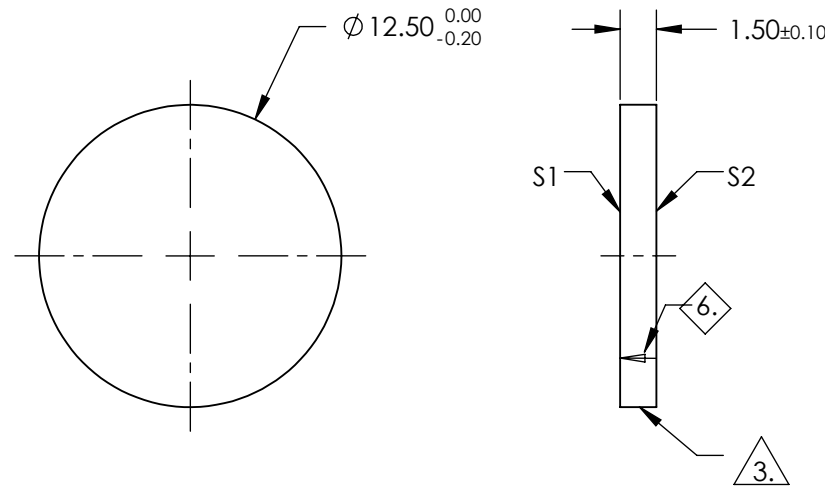
DURABILITY: MIL-C-48497A, SECT. 3.4.1

PERFORMANCE SPECIFICATIONS @ 0° AOI  
 T(AVG): ≥91% FROM 450 - 939nm  
 T(AVG): ≤ 0.01 % FROM 980 - 1325nm  
 CUT-OFF SLOPE: <1%  
 CUT-OFF WAVELENGTH: 950nm ±1%

**FOR INFORMATION ONLY:  
 DO NOT MANUFACTURE  
 PARTS TO THIS DRAWING**



- 3. FINE GRIND SURFACE
- 4. TRANSMITTED WAVEFRONT DISTORTION RMS @ ≤λ/4 (prior to coating)
- 5. ROHS COMPLIANT
- 6. ARROW POINTS TOWARDS THE FILTER COATED SURFACE

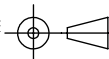


SHORTPASS FILTER

SPECIFICATIONS SUBJECT TO CHANGE WITHOUT NOTICE  
 DIMENSIONS ARE FOR REFERENCE ONLY

	S1	S2
SHAPE	PLANO	PLANO
SURFACE QUALITY	60-40	60-40
CLEAR APERTURE	>80%	>80%
BEVEL	PROTECTIVE AS NEEDED	PROTECTIVE AS NEEDED

THIRD ANGLE PROJECTION



ALL DIMS IN

mm

**EO**® Edmund Optics®

TITLE

950nm 12.5mm Diameter, OD 4 Shortpass Filter

DWG NO

64328

SHEET  
1 OF 1