

NOTES:

1. SUBSTRATE:
ELEMENT A: N-BAF10 670/472
ELEMENT B: N-SF10 728/284
2. ROHS COMPLIANT
3. CENTERING TOLERANCE (AT 587.6nm):
BEAM DEVIATION (HALF ANGLE): <3 ARCMIN
4. COATING (APPLY ACROSS COATING APERTURE)

S1 & S4:
¼ WAVE MgF2 @ 550nm
R(AVG) < 1.75% FROM 400 - 700nm (N - BK7)

S2 & S3: NONE

5 FINE GRIND SURFACE

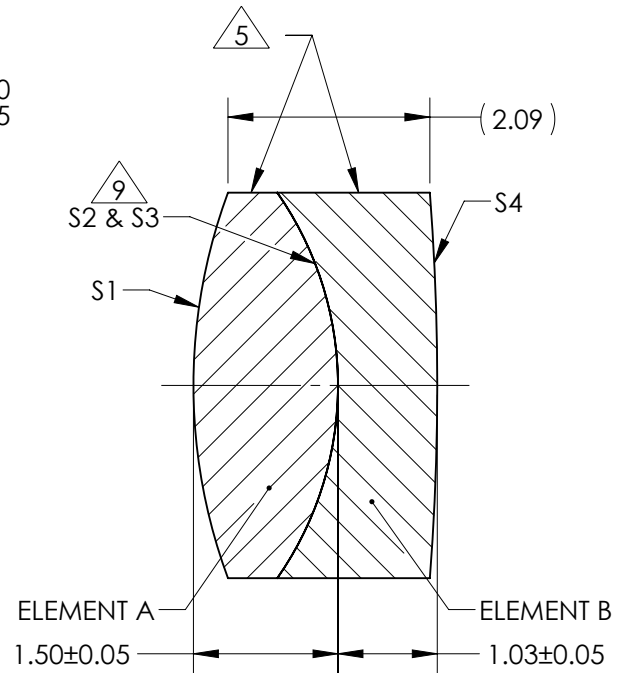
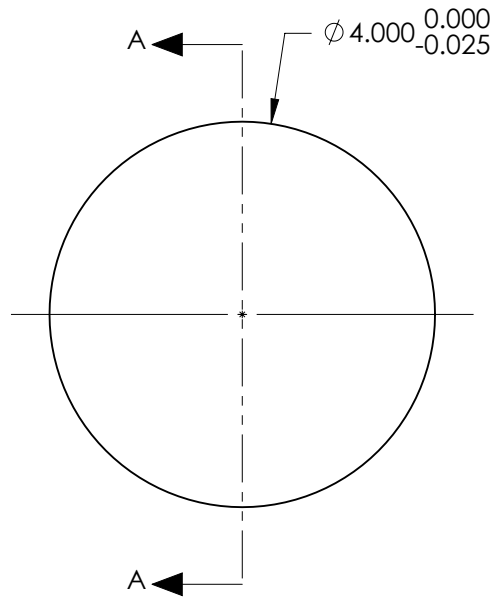
6. POWER, IRREGULARITY, AND SURFACE QUALITY SPECIFICATIONS APPLY ACROSS CLEAR APERTURE

7. FOCAL LENGTH (EFL): 8.00mm±1%
BACK FOCAL LENGTH (BFL): 6.69mm

8. PROTECTIVE BEVEL AS NEEDED

9. DESIGN WAVELENGTH: 587.6nm

9 ELEMENTS TO BE CEMENTED WITH NORLAND OPTICAL ADHESIVE NOA61



SECTION A-A

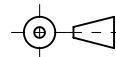
**FOR INFORMATION ONLY:
DO NOT MANUFACTURE
PARTS TO THIS DRAWING**

ELEMENT TITLE	SPECIFICATIONS AFTER CEMENTING			
	ELEMENT A		ELEMENT B	
SURFACE	S1	S2	S3	S4
SHAPE	CONVEX	CONVEX	CONCAVE	CONVEX
RADIUS	5.76	3.49	3.49	26.05
SURFACE QUALITY	20 - 10	20 - 10	20 - 10	20 - 10
MIN CLEAR APERTURE	Ø 3.60	Ø 3.60	Ø 3.60	Ø 3.60
MIN COATING APERTURE	Ø 3.00	N/A	N/A	Ø 3.00
POWER AT 632.8nm	3.00 RINGS	3.00 RINGS	3.00 RINGS	3.00 RINGS
IRREGULARITY AT 632.8nm	0.50 RINGS	0.50 RINGS	0.50 RINGS	0.50 RINGS

SPECIFICATIONS SUBJECT TO CHANGE WITHOUT NOTICE
DIMENSIONS ARE FOR REFERENCE ONLY

EO® Edmund Optics®

THIRD ANGLE PROJECTION



ALL DIMS IN

mm

TITLE

4mm Dia. x 8mm FL, MgF2 Coated,
Achromatic Doublet Lens

DWG NO

45205

SHEET
1 OF 1